



BEND-A-BOARD INSTALLATION GUIDE

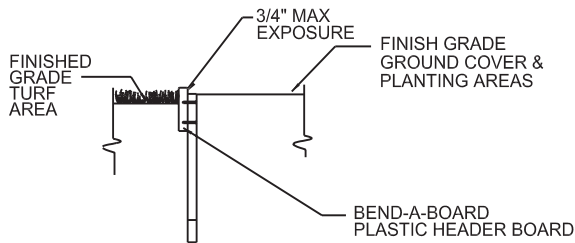
Bend-a-Board is extruded from 100% recycled plastic generating edging material that delivers performance without sacrificing appearance.

Strong, flexible & durable, Bend-a-Board allows you to define landscapes that are low maintenance and will not rot.

By following these simple steps you can achieve a professional installation.

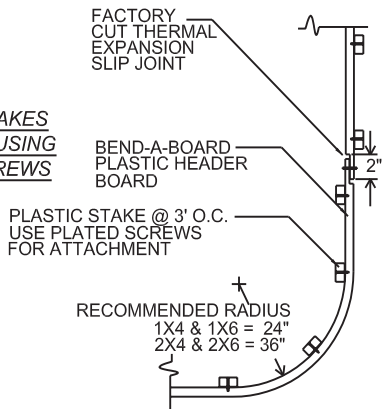
1

DIG DOWN INTO THE GROUND
EXPOSE AS LITTLE BOARD AS POSSIBLE
3/4" MAXIMUM RECOMMENDED
THIS REDUCES THERMAL EXPANSION



2

INSTALL STAKES
EVERY 3' 0" USING
PLATED SCREWS

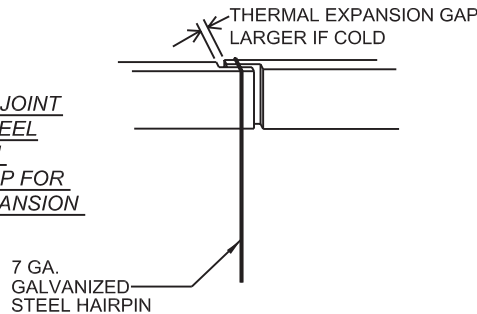


www.epicplastics.com

SLIP JOINT CONNECTIONS

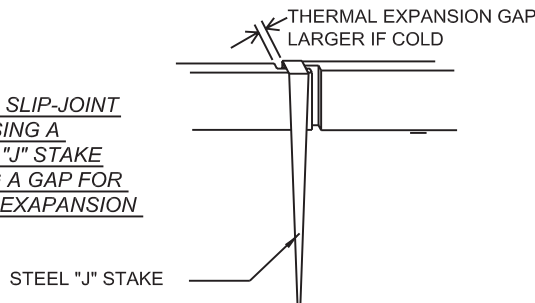
3-A

SECURE SLIP-JOINT
USING A STEEL
HAIRPIN
LEAVING A GAP FOR
THERMAL EXPANSION



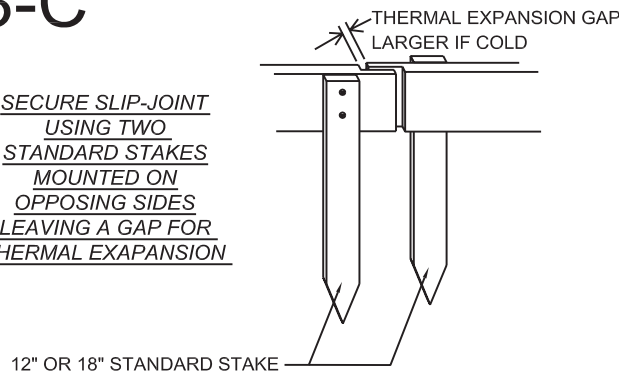
3-B

SECURE SLIP-JOINT
USING A
STEEL "J" STAKE
LEAVING A GAP FOR
THERMAL EXPANSION



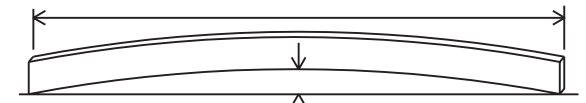
3-C

SECURE SLIP-JOINT
USING TWO
STANDARD STAKES
MOUNTED ON
OPPOSING SIDES
LEAVING A GAP FOR
THERMAL EXPANSION



BEND-A-BOARD CHART

	ACTUAL DIMENSIONS	MINIMUM RADIUS POSSIBLE	MAXIMUM CROWN POSSIBLE
1/2X4	3" X 5/16" X 20'	6"	22"/20'
1X4	3 3/8" X 1 1/16" X 20'	24"	19"/20'
2X4	3 3/8" X 1 3/8" X 20'	36"	16"/20'
1X6	5 3/8" X 1 1/16" X 20'	24"	9"/20'
2X6	5 3/8" X 1 3/8" X 16'	36"	N/A



SEE CHART FOR MAX. CROWN LENGTH & HEIGHT

NOTES:

- COLOR BROWN
- USE COARSE WOOD WORKING TOOLS FOR CUTTING & DRILLING
- USE PLATED SCREWS TO JOIN BOARD TO STAKE
- STAKE APPROX 3' 0" OC

SLIP JOINTS MUST BE ABLE TO EXPAND AND CONTRACT AS TEMPERATURES CHANGE. ALWAYS INSTALL WITH THE GAP SPECIFIED BELOW.

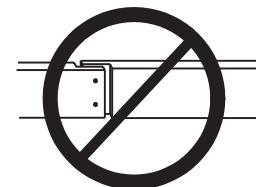
1X4 @ 1/4" - 1/2" 2X4 @ 1/2" - 3/4"

1X6 @ 1/2" - 3/4" 2X6 @ 3/4" - 1"

WARM WEATHER INSTALL MIN GAP
COLD WEATHER INSTALL MAX GAP

RECOMMENDED GAP SETTING
AT THE SLIP JOINT IS BASED ON PLASTIC THERMAL EXPANSION.

**DO NOT SCREW THROUGH THE
SLIP JOINT**





GUIA DE INSTALACION BEND-A-BOARD

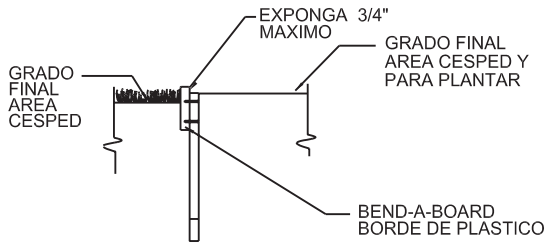
BEND-A-BOARD es extraido de 100% plastico reciclado produciendo un borde durable sin sacrificio de aparincia.

Fuerte, flexible, durable BEND-A-BOARD permite definir bordes de bajo mantenimiento que no se pudre.

Siguiendo estas guias simples puede alcanzar una instalacion profesional.

1

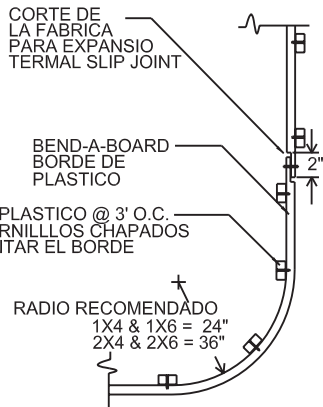
ESCAVE LA TIERRA
EXPONGA LO MINIMO POSIBLE DEL BORDE
SE RECOMIENDA 3/4" MAXIMO
ESTO ES PARA LA EXPANSION TERMAL



2

INSTALE ESTACAS
CADA 3' 0" USANDO
TORNILLOS
CHAPADOS

ESTACA DE PLASTICO @ 3' O.C.
USANDO TORNILLOS CHAPADOS
PARA ADJUNTAR EL BORDE

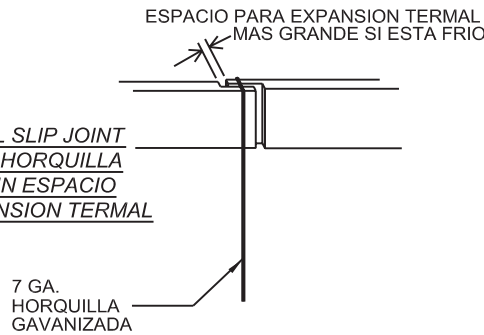


www.epicplastics.com

CONEXIONES SLIP JOINT

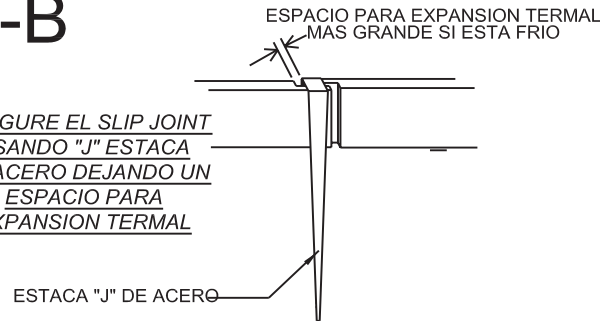
3-A

ASEGURE EL SLIP JOINT
USANDO LA HORQUILLA
DEJANDO UN ESPACIO
PARA LA EXPANSION TERMAL



3-B

ASEGURE EL SLIP JOINT
USANDO "J" ESTACA
DE ACERO DEJANDO UN
ESPACIO PARA
EXPANSION TERMAL



3-C

ASEGURE EL SLIP JOINT
USANDO DOS ESTACAS
ESTANDAR EN LADOS
OPUESTOS DEJANDO ESPACIO
PARA EXPANSION TERMAL

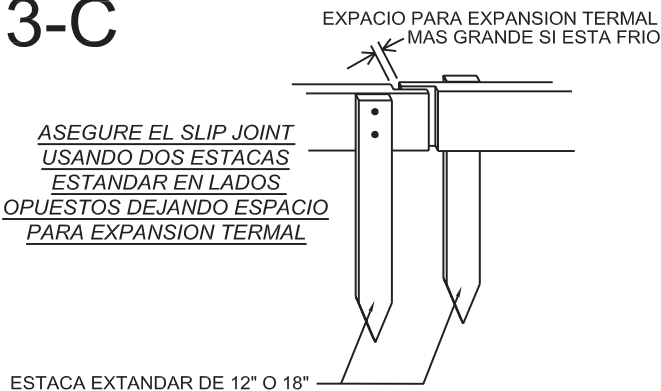
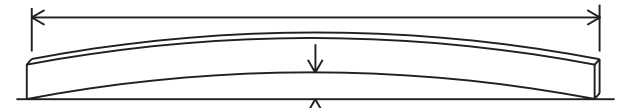


GRAFICO DE BEND-A-BOARD

	DIMENSIONES ACTUALES	RADIO MINIMO POSIBLE	CRESTA MAXIMA POSIBLE
1/2X4	3" X 5/16" X 20'	6"	22"/20'
1X4	3 3/8" X 11/16" X 20'	24"	19"/20'
2X4	3 3/8" X 1 3/8" X 20'	36"	16"/20'
1X6	5 3/8" X 11/16" X 20'	24"	9"/20'
2X6	5 3/8" X 1 3/8" X 16'	36"	N/A



REFIERA AL GRAFICO PARA LA CRESTA MAXIMA DE LARGO Y ALTURA

NOTAS:

1. COLOR MARRON
2. PARA LAS INSTALACIONES SE USA SERRUCHO Y TALADRO
3. USE TORNILLOS CHAPADOS PARA AJUNTAR EL BORDE CON LA ESTACA
4. ESTACA A 3'0" EN CENTRO

SLIP JOINTS DEBEN DE PODER ENCONTRAER Y EXTENDER CUANDO LA TEMPERATURA CAMBIA. SIEMPRE INSTALE CON EL ESPACIO ESPECIFICADO ABAJO.

1X4 @ 1/4" - 1/2" 2X4 @ 1/2" - 3/4"

1X6 @ 1/2" - 3/4" 2X6 @ 3/4" - 1"

CLIMA CALIENTE INSTALE ESPACIO MINIMO
CLIMA FRIA INSTALE ESPACIO MAXIMO

EL ESPACIO RECOMENDADO EN EL SLIP JOINT
ES BASE DE EXPANSION TERMAL DEL PLASTICOS.

**NUNCA COLOCA JUNTOS
LOS SLIP JOINTS**

