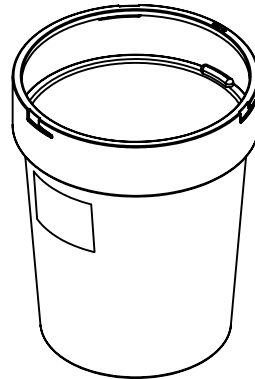




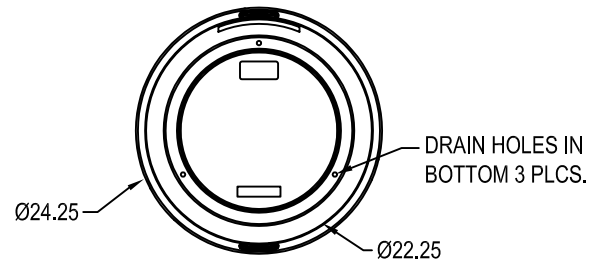
WISHBONE SITE FURNISHINGS  
 #109-27090 GLOUCESTER WAY  
 LANGLEY, BC V4W 3Y5  
 TOLL FREE: 1-866-626-0476  
 PHONE: (604) 626-0476  
 FAX: (604) 626-0496  
 www.WishboneLtd.com

**SPECIFICATIONS**

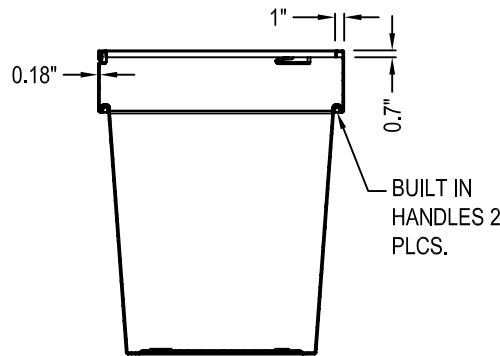
- ROTATIONAL MOLDED HIGH-DENSITY POLYETHYLENE.
- UV STABILIZERS ADDED FOR BETTER PROTECTION IN THE SUN
- 3/16-1/4 INCH WALL THICKNESS
- LIGHTWEIGHT AND STACKABLE
- DRAIN HOLES
- BUILT IN HANDLES
- MOLDED RECESSED LOCKING SLOTS TO ACCEPT STANDARD RUBBERMAID DOME TOP LID #2647



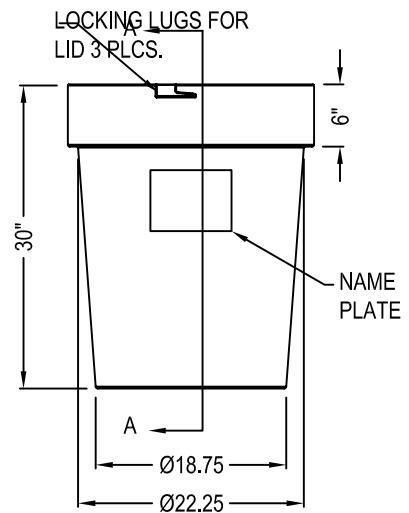
ISOMETRIC VIEW



PLAN VIEW



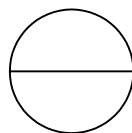
SECTION A-A



FRONT VIEW

**NOTES:**

1. INSTALLATION TO BE COMPLETED IN ACCORDANCE WITH MANUFACTURER'S SPECIFICATIONS.
2. DO NOT SCALE DRAWING.
3. THIS DRAWING IS INTENDED FOR USE BY ARCHITECTS, ENGINEERS, CONTRACTORS, CONSULTANTS AND DESIGN PROFESSIONALS FOR PLANNING PURPOSES ONLY. THIS DRAWING MAY NOT BE USED FOR CONSTRUCTION.
4. ALL INFORMATION CONTAINED HEREIN WAS CURRENT AT THE TIME OF DEVELOPMENT BUT MUST BE REVIEWED AND APPROVED BY THE PRODUCT MANUFACTURER TO BE CONSIDERED ACCURATE.
5. CONTRACTOR'S NOTE: FOR PRODUCT AND COMPANY INFORMATION VISIT [www.CADdetails.com/info](http://www.CADdetails.com/info) AND ENTER REFERENCE NUMBER 4289-042.



**WASTE RECEPTACLES**

EVENT CAN (EC-24)