

PEDESTAL BISTRO TABLE 2 SEAT

Model Number : PBT-2

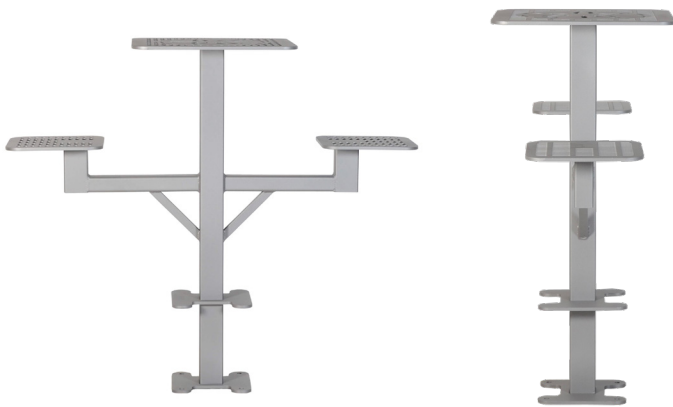
Wishbone
site furnishings

PRODUCT SPECIFICATIONS

Durable Powder Coated Aluminum Frame

Standard Colours: Brown Slate, Victor Ridge II, Nordic Lichen, Timeless Rust, Grey Gold, Textured Silver, Precious Sand, Groovy Red, Black Textured, Earth Clay, Noble Bronze, Modern Khaki, Flame Red, Pastel Orange, Signal Violet, Traffic Yellow, Ultramarine Blue, Water Blue, Yellow Green

Long Lasting Stainless Steel Hardware



CUSTOMIZED SOLUTIONS

Custom Powder Coating (Setup Charges May Apply)

Custom Branding of Seat and Table Sections

INST- 2.75 Stainless Steel Wedge Anchor Bolt Down Kit

PRODUCT DIMENSIONS

Table Height	44 inches / 1118 mm
Table Top	20x20 inches / 508x508 mm
Seat Height	30.5 inches / 775 mm
Seat Depth	12x12 inches / 305x305 mm
Total Length	51 inches / 1295 mm
Total Width	20 inches / 508 mm
Weight	36 lbs / 16 kg

RECYCLED CONTENT

0% RECYCLED CONTENT BY WEIGHT
100% RECYCLABLE

DESIGNER NOTES

The Pedestal Bistro Table is a versatile 2-seat, outdoor table with a very small footprint. Its powder-coated aluminum frame is light, robust, and is easy to clean and maintain. The top surfaces are “perforated” with an attractive pattern to reduce the temperature of the metal in direct sunlight by decreasing surface area and increasing airflow. To dress the product up and add some customization, the table top design can be customized with a logo.

Similar to many of our other site furnishings, the Pedestal Bistro Table was created in response to a specific client conundrum. Municipalities, businesses, restaurants, and coffee shops sometimes struggle with little-to-no footprint for outdoor seating. During the warm months of the year many owners want to take advantage of their business’ excellent location. This often leads to undersized, mismatched or temporary furnishings that detract curb appeal of a business or streetscape. This product takes away the hassle and looks great all year round.



100% Canadian Made



Wishbone Ltd. provides an extended 10 year limited warranty from the date of invoice.



Visit us online at www.Wishboneltd.com

Wishbone Site Furnishings | #210-27090 Gloucester Way | Langley, BC CANADA V4W 3Y5
1.866.626.0476 sales@wishboneltd.com