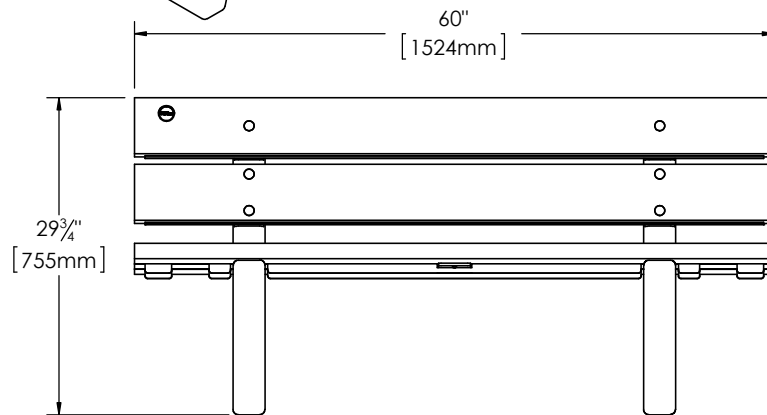
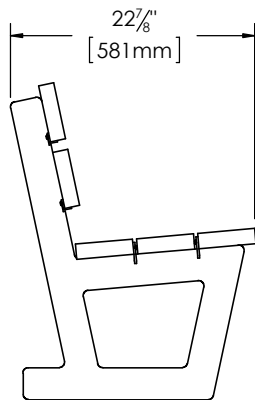
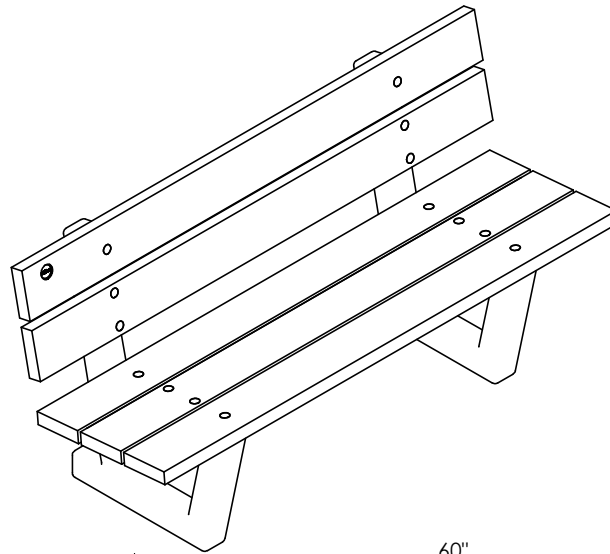




Produits
REPLAST
1350, Chemin Quatre-Saisons
Notre-Dame-du-Bon-Conseil (Québec)
Canada J0C 1A0
Tel.: (819) 336-2440 / Fax: (819) 336-2442

Parc Series - 60" Bench #16

Rév.: December 10th, 2014



Features:

- The bench slats are made of **ULTRAPLAST™** recycled plastic 2" x 6" (37mm x 137mm).
- The legs are made of black **ULTRAPLAST™** recycled plastic. Screws are inserted in the plastic during molding to fix backrest and seat slats.
- Reinforcement are made of flat steel, 2" x 3/16" (51mm x 5mm) and flat steel bar 3/4" x 1/4" (76mm x 6.5mm) coated with our black InfiniGuard Professional anti-corrosion system.
- Hidden hardware.
- Shipped ready to be assembled.

Standard installation details:

- Surface mounted.

Options:

- Stainless steel standard anchor.
- Stainless steel antiteft anchor.
- Duckbill anchor.
- Factory assembled.
- Armrest.
- Customized engrave.



Weight; 148.26 Lb.