

Wishbone  
site furnishings

**WISHBONE SITE FURNISHINGS**

210-27090 GLOUCESTER WAY LANGLEY, BC

**DWG. TITLE:** SKYLINE DOUBLE SEAT PARK BENCH

**REVISION:** 25/05/21 R:00

**MATERIAL:**  
ALUMINUM

**DWG. NO.**  
DWSBB25052100

**DRAWN BY:**  
GARY PARMAR

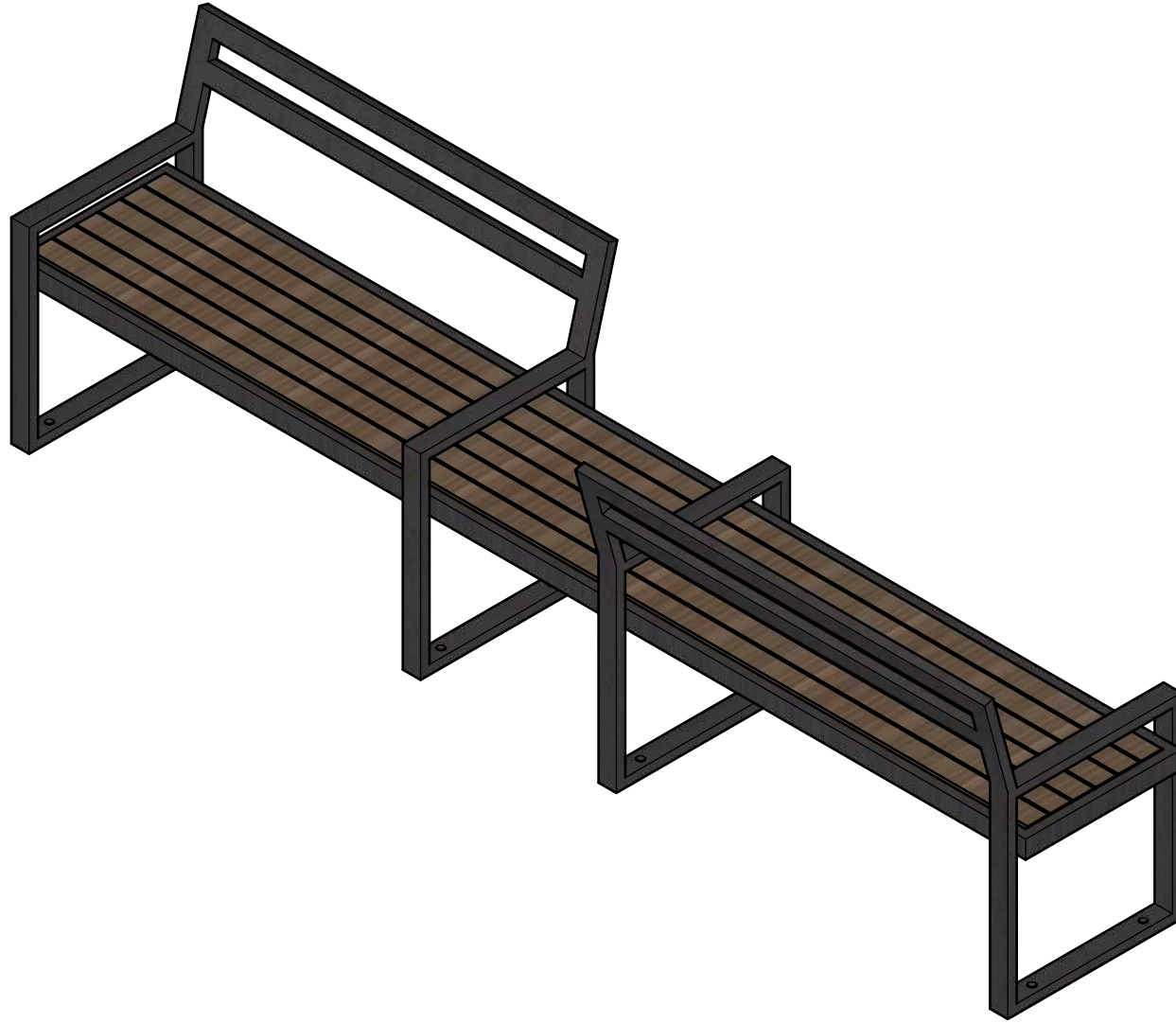
**PATTERN NO.**  
N/A

**MODEL NO.**  
SLB-10D

**SCALE:**  
1:24

**SHEET:**  
1 OF 2

**DATE:**  
25 MAY 21



**WISHBONE SITE FURNISHINGS**  
 210-27090 GLOUCESTER WAY LANGLEY, BC

**DWG. TITLE:** SKYLINE DOUBLE SEAT PARK BENCH  
**REVISION:** 25/05/21 R:00

**MATERIAL:**  
 ALUMINUM

**DWG. NO.**  
 DWSBB25052100

**DRAWN BY:**  
 GARY PARMAR

**PATTERN NO.**  
 N/A

**MODEL NO.**  
 SLB-10D

**SCALE:**  
 AS SHOWN

**SHEET:**  
 2 OF 2

**DATE:**  
 25 MAY 21