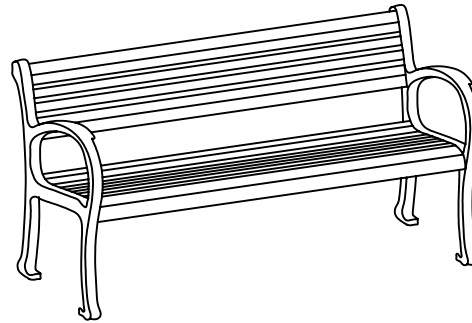




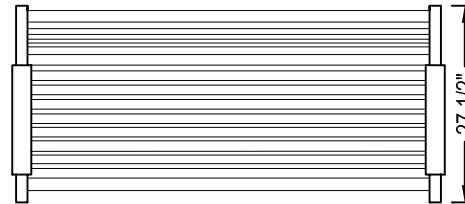
WISHBONE SITE FURNISHINGS
 #109-27090 GLOUCESTER WAY
 LANGLEY, BC V4W 3Y5
 TOLL FREE: 1-866-626-0476
 PHONE: (604) 626-0476
 FAX: (604) 626-0496
 www.WishboneLtd.com

SELECT DESIRED LENGTH

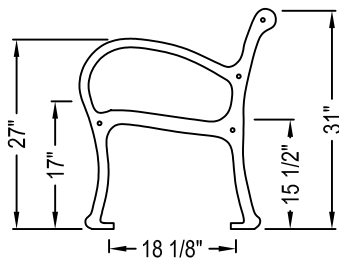
- 2' (MCBAL-2)
- 3' (MCBAL-3)
- 4' (MCBAL-4)
- 5' (MCBAL-5) (SHOWN)
- 6' (MCBAL-6)



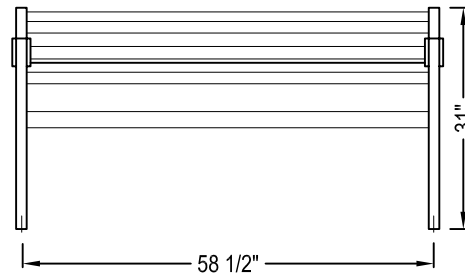
ISOMETRIC VIEW



TOP VIEW



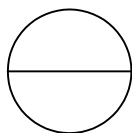
SIDE ELEVATION



FRONT ELEVATION

NOTES:

1. INSTALLATION TO BE COMPLETED IN ACCORDANCE WITH MANUFACTURER'S SPECIFICATIONS.
2. DO NOT SCALE DRAWING.
3. THIS DRAWING IS INTENDED FOR USE BY ARCHITECTS, ENGINEERS, CONTRACTORS, CONSULTANTS AND DESIGN PROFESSIONALS FOR PLANNING PURPOSES ONLY. THIS DRAWING MAY NOT BE USED FOR CONSTRUCTION.
4. ALL INFORMATION CONTAINED HEREIN WAS CURRENT AT THE TIME OF DEVELOPMENT BUT MUST BE REVIEWED AND APPROVED BY THE PRODUCT MANUFACTURER TO BE CONSIDERED ACCURATE.
5. CONTRACTOR'S NOTE: FOR PRODUCT AND COMPANY INFORMATION VISIT www.CADdetails.com/info AND ENTER REFERENCE NUMBER 4289-012.



PARK BENCHES

MOUNTAIN CLASSIC PARK BENCH - ALL METAL (MCBAL-5)