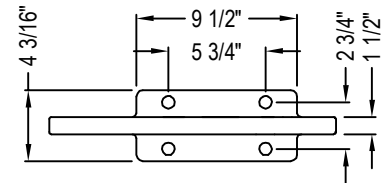
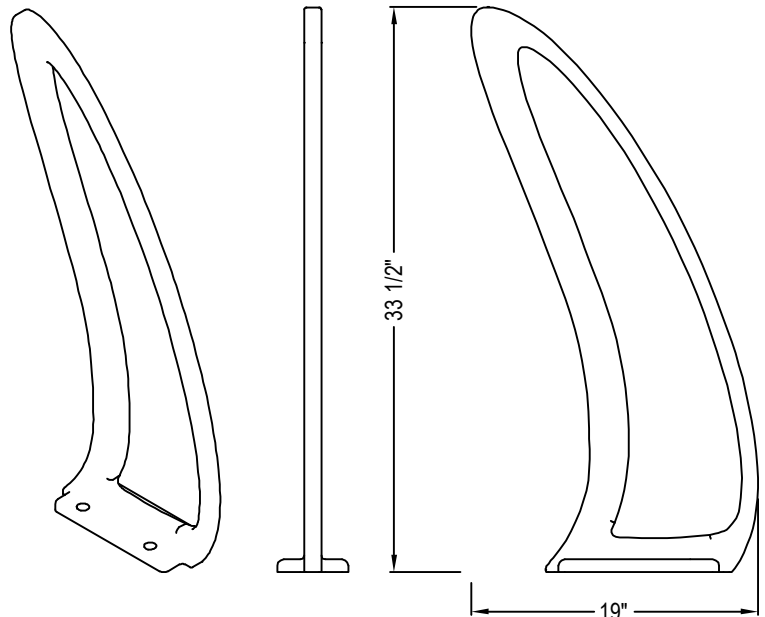


- SELECT DESIRED TEXTURED
 POWDER COATED COLOR:
- BOSTWICK BROWN OIL RUB BRONZE
 CARDINAL BLACK NON-TEXTURED PEWTER
 CARDINAL GREY BENGAL SILVER
 COLD BROWN BLACK SUPER TEXTURE
 LAKESIDE SAND
- SELECT DESIRED
 CUSTOMIZED SOLUTIONS:
- CUSTOM POWDER COATING (SETUP
 CHARGES MAY APPLY)
 CUSTOM CAST LETTERING ON SIDES
 INST-1.5 STAINLESS STEEL BOLT DOWN KIT



PLAN VIEW



ISOMETRIC VIEW

SIDE VIEW

FRONT VIEW

SPECIFICATIONS:

-DURABLE POWDER COATED CAST ALUMINUM FRAME
 -SURFACE MOUNTABLE

HEIGHT: 33.5" / 850 MM

DEPTH: 1.5" / 38 MM

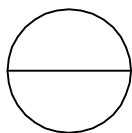
WIDTH: 19" / 483 MM

WEIGHT: 20 LBS / 9 KG

RECYCLED CONTENT: 100% RECYCLED CONTENT BY WEIGHT

NOTES:

1. INSTALLATION TO BE COMPLETED IN ACCORDANCE WITH MANUFACTURER'S SPECIFICATIONS.
2. DO NOT SCALE DRAWING.
3. THIS DRAWING IS INTENDED FOR USE BY ARCHITECTS, ENGINEERS, CONTRACTORS, CONSULTANTS AND DESIGN PROFESSIONALS FOR PLANNING PURPOSES ONLY. THIS DRAWING MAY NOT BE USED FOR CONSTRUCTION.
4. ALL INFORMATION CONTAINED HEREIN WAS CURRENT AT THE TIME OF DEVELOPMENT BUT MUST BE REVIEWED AND APPROVED BY THE PRODUCT MANUFACTURER TO BE CONSIDERED ACCURATE.
5. CONTRACTOR'S NOTE: FOR PRODUCT AND COMPANY INFORMATION VISIT www.CADdetails.com/info AND ENTER REFERENCE NUMBER 4289-041.



BICYCLE RACKS AND SHELTERS

TENAJ 2 SPACE BIKE RACK (TJBR-34)