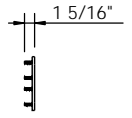
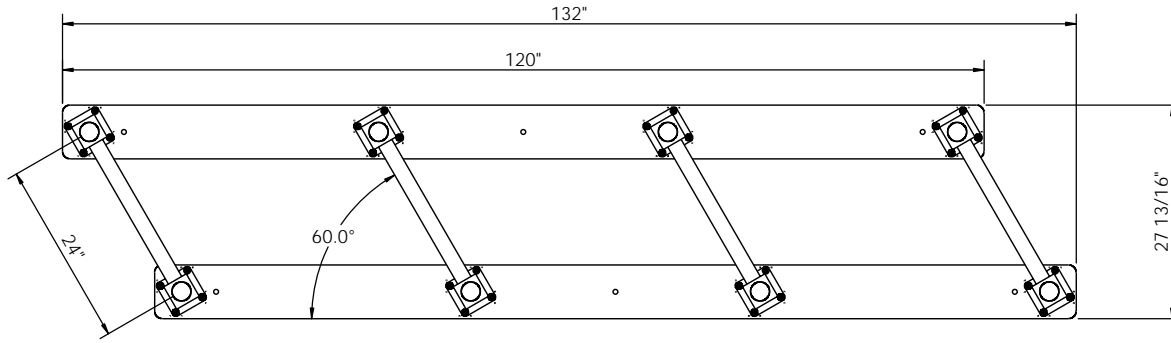


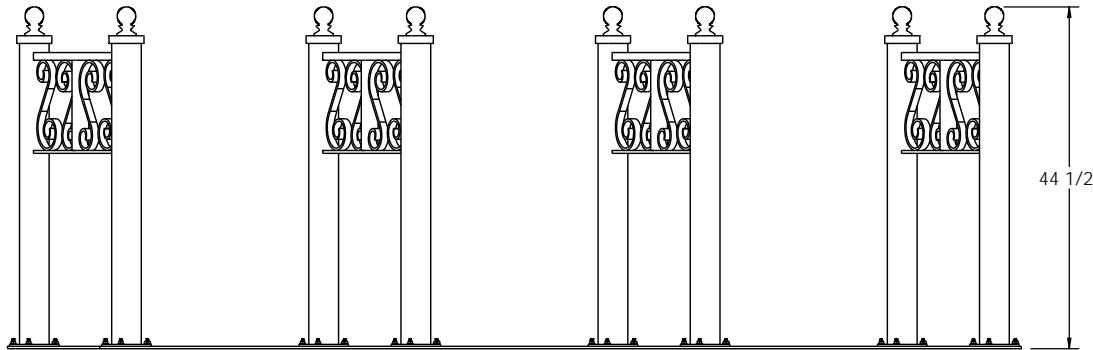
BASE PLATE TOP VIEW



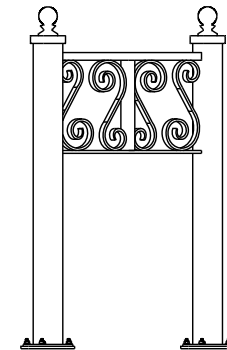
BASE PLATE SIDE VIEW



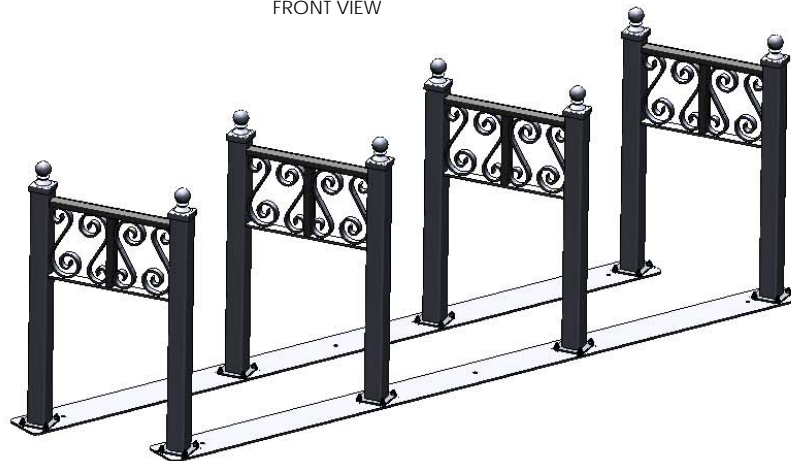
TOP VIEW



FRONT VIEW



SIDE VIEW



DRAWN	SDP	04/22/2013
CHECKED		
CUSTOMER SIGNATURE		
MFG		
APPROVED		
<small>THIS DOCUMENT IS THE PROPERTY OF WISHBONE SITE FURNISHINGS. IT IS TO BE USED ONLY FOR THE PROJECT AND SITE SPECIFICALLY IDENTIFIED HEREON. IT IS NOT TO BE REPRODUCED, COPIED, OR TRANSMITTED IN ANY FORM OR BY ANY MEANS, ELECTRONIC OR MECHANICAL, INCLUDING PHOTOCOPYING, RECORDING, OR BY ANY INFORMATION STORAGE AND RETRIEVAL SYSTEM, WITHOUT THE WRITTEN PERMISSION OF WISHBONE SITE FURNISHINGS.</small>	<small>WISHBONE SITE FURNISHINGS CUSTOMER SERVICE 10000 W. 10TH AVE. DENVER, CO 80202 TEL: 303.751.4400 WWW.WISHBONE.COM</small>	<small>REV</small>

Wishbone
site furnishings

TITLE CLASSIC BIKE RACK, 4 PARTITION UNIT SLICK COAT SURFACE MOUNT		
SIZE A	DWG NO CBR-404SG	REV
SCALE	SHEET 1 OF 1	