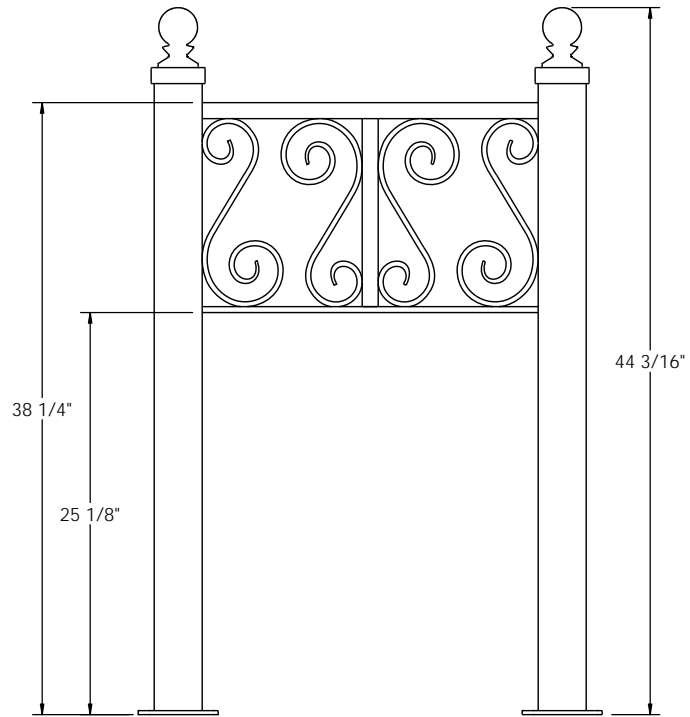
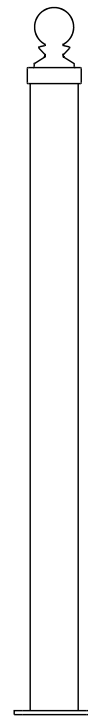




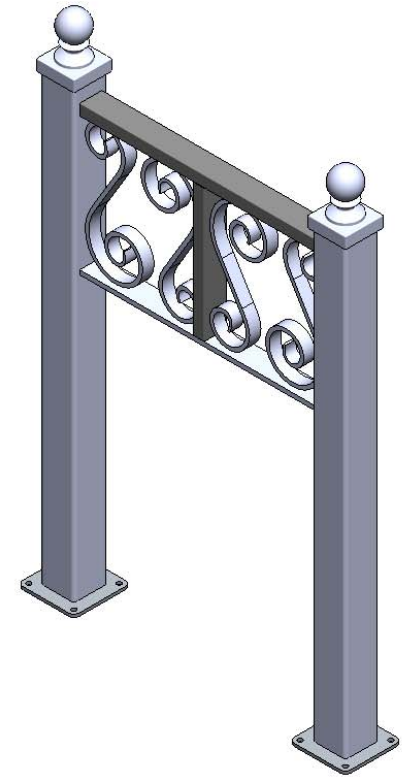
TOP VIEW



FRONT VIEW



SIDE VIEW



DRAWN	SDP	04/22/2013			
CHECKED					
CUSTOMER SIGNATURE			TITLE CLASSIC BIKE RACK, PARTITION MILD STEEL FRAME SLICK COAT SURFACE MOUNT		
MFG					
APPROVED					
SIZE		A	DWG NO	CBR-40S	REV
SCALE			SHEET 1 OF 1		