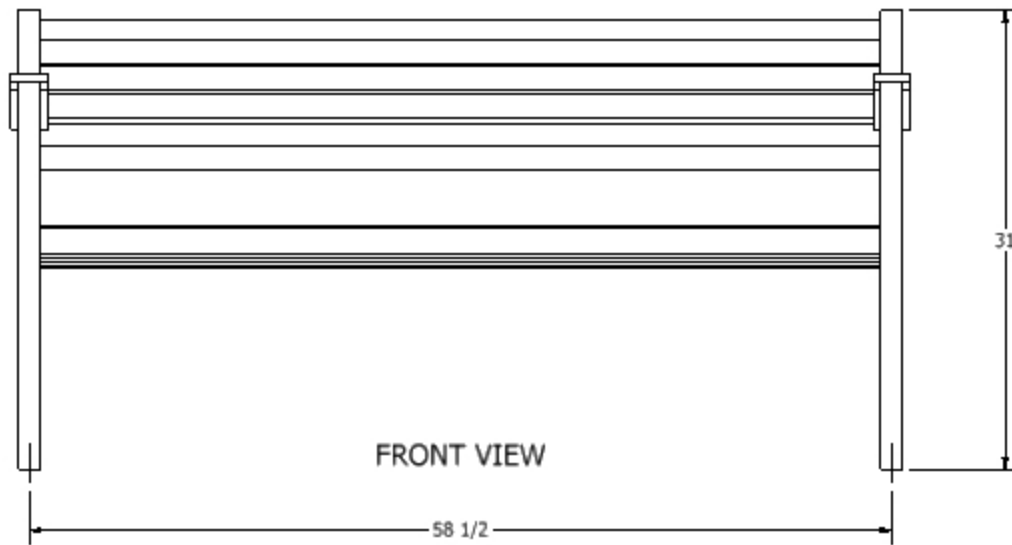
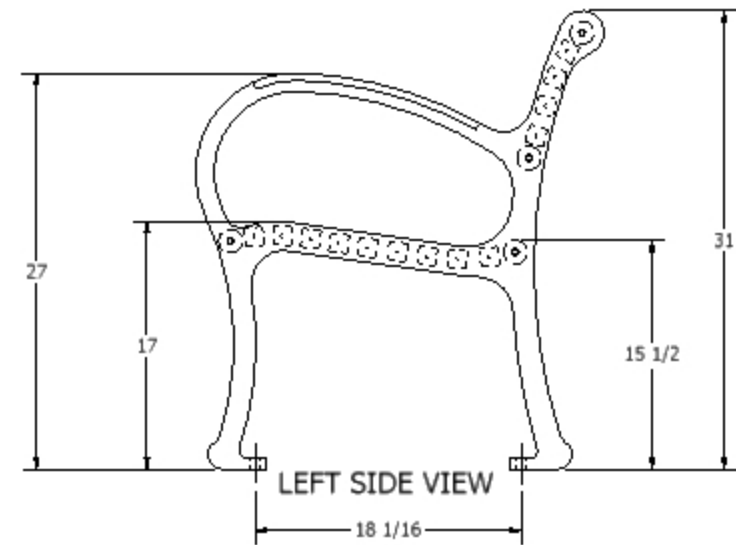


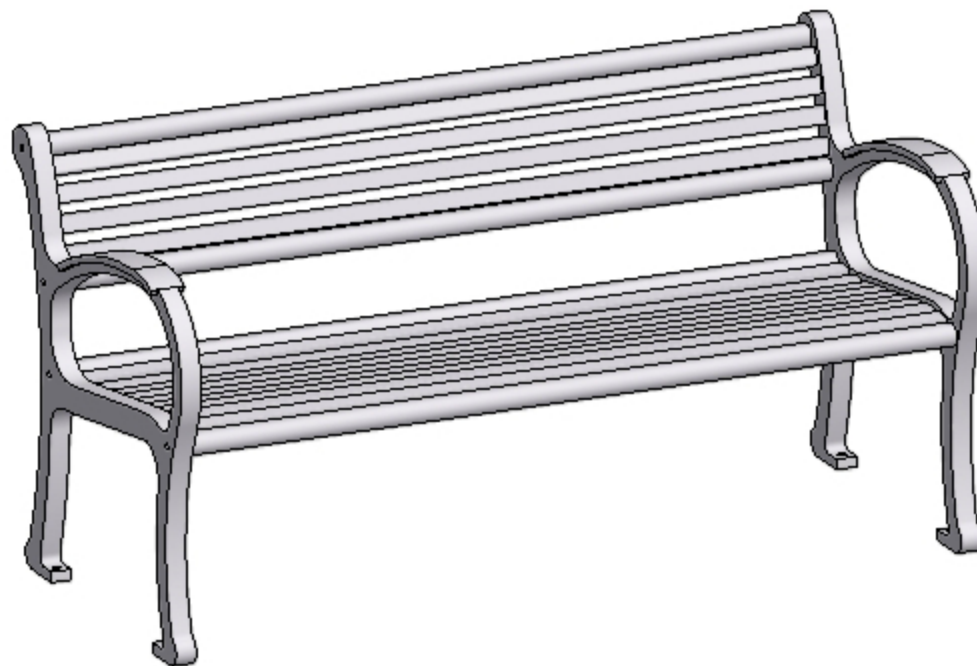
TOP VIEW



FRONT VIEW



LEFT SIDE VIEW



DRAWN	SAR	1/25/2010			
CHECKED					
CUSTOMER SIGNATURE			TITLE MOUNTAIN CLASSIC PARK BENCH - ALL ALUMINUM		
MFG					
APPROVED			SIZE	DWG NO	REV
			C	MCBAL-5	
<small>WISHBONE SITE FURNISHINGS 10000 W. 10TH AVENUE, SUITE 100 DENVER, CO 80202 PHONE: 303.751.1111 FAX: 303.751.1112 WWW.WISHBONE.COM</small>			<small>WISHBONE SITE FURNISHINGS 10000 W. 10TH AVENUE, SUITE 100 DENVER, CO 80202 PHONE: 303.751.1111 FAX: 303.751.1112 WWW.WISHBONE.COM</small>		SCALE
			SHEET 1 OF 1		