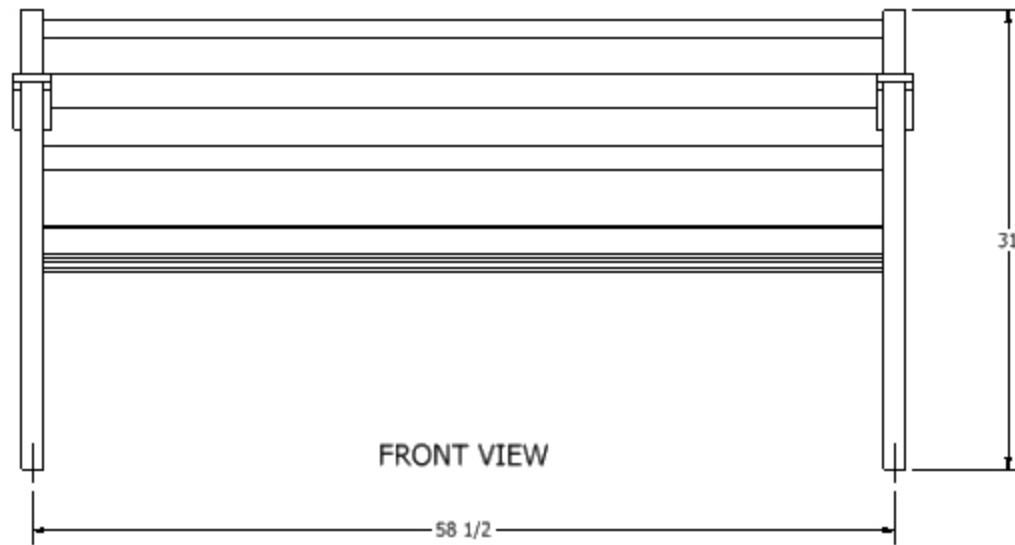
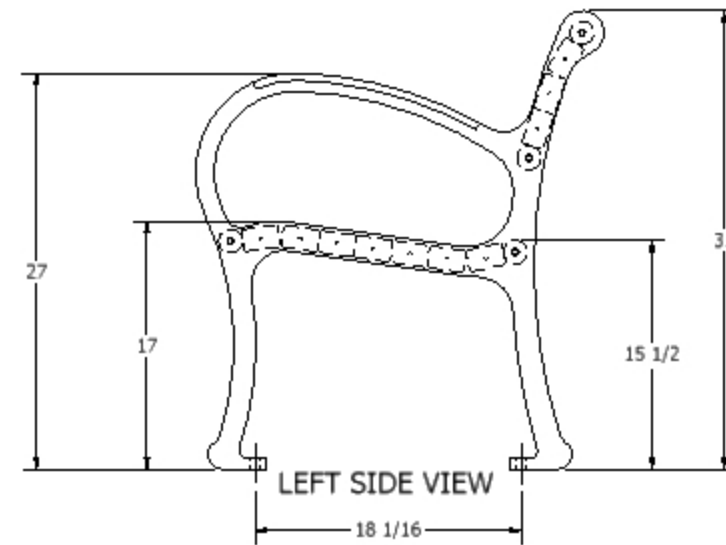


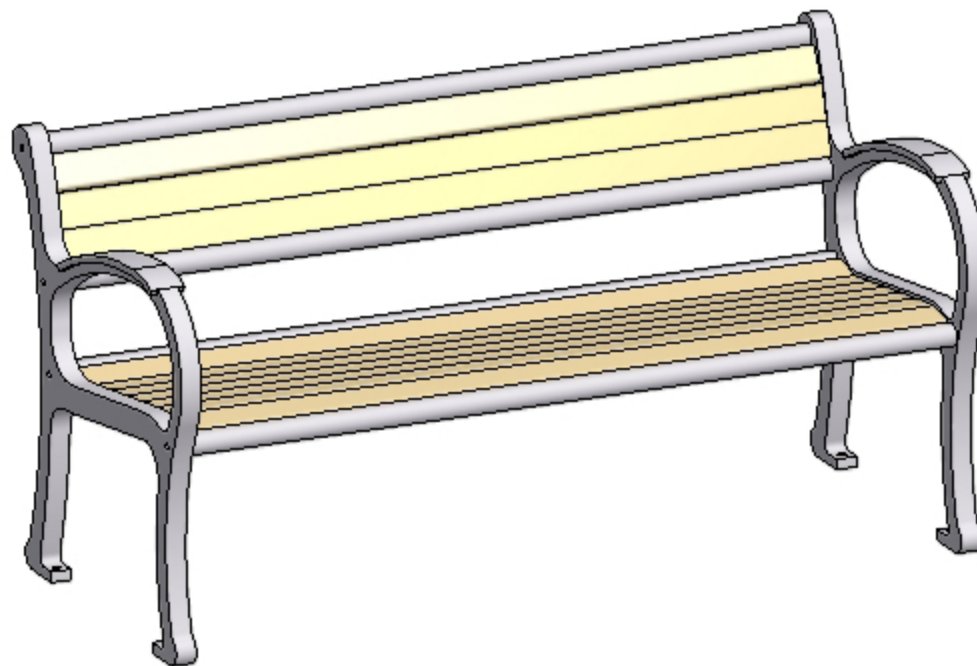
TOP VIEW



FRONT VIEW



LEFT SIDE VIEW



DRAWN SAR	1/25/2010		
CHECKED			
CUSTOMER SIGNATURE		TITLE MOUNTAIN CLASSIC PARK BENCH WITH RECYCLED PLASTIC	
MFG		SIZE C	DWG NO MCB-5
APPROVED		SCALE	REV
<small>WISHBONE SITE FURNISHINGS 10000 10TH AVENUE S.W. SUITE 1000 SEASIDE, WA 98138 PH: 206.461.1111 WWW.WISHBONE.COM</small>		<small>WISHBONE SITE FURNISHINGS 10000 10TH AVENUE S.W. SUITE 1000 SEASIDE, WA 98138 PH: 206.461.1111 WWW.WISHBONE.COM</small>	
		SHEET 1 OF 1	