

# BEND-A-BOARD INSTALLATION GUIDE

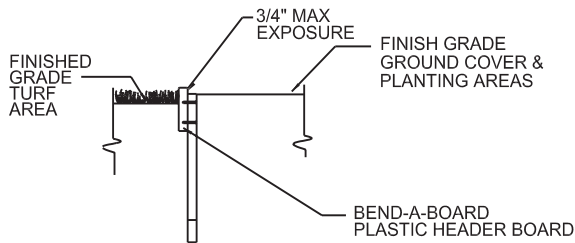
**Bend-a-Board** is extruded from 100% recycled plastic generating edging material that delivers performance without sacrificing appearance.

**Strong, flexible & durable**, Bend-a-Board allows you to define landscapes that are low maintenance and will not rot.

**By following these simple steps** you can achieve a professional installation.

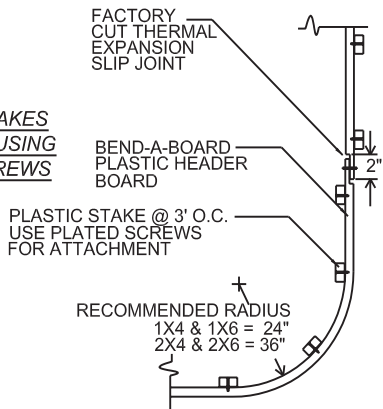
**1**

DIG DOWN INTO THE GROUND  
EXPOSE AS LITTLE BOARD AS POSSIBLE  
3/4" MAXIMUM RECOMMENDED  
THIS REDUCES THERMAL EXPANSION



**2**

INSTALL STAKES  
EVERY 3' 0" USING  
PLATED SCREWS

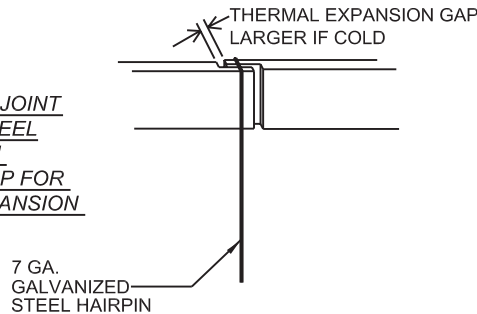


[www.wishboneltd.com](http://www.wishboneltd.com)

## SLIP JOINT CONNECTIONS

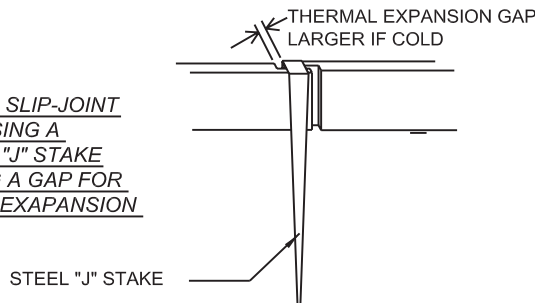
**3-A**

SECURE SLIP-JOINT  
USING A STEEL  
HAIRPIN  
LEAVING A GAP FOR  
THERMAL EXPANSION



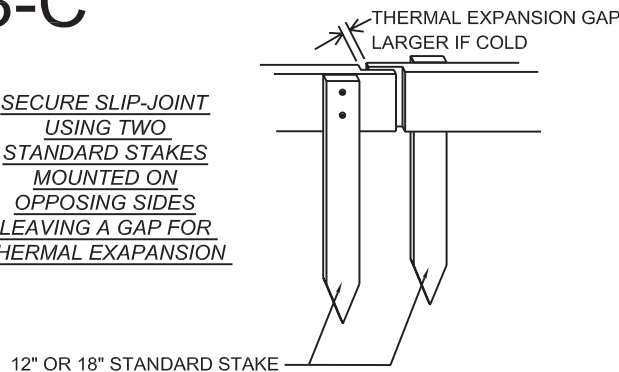
**3-B**

SECURE SLIP-JOINT  
USING A  
STEEL "J" STAKE  
LEAVING A GAP FOR  
THERMAL EXPANSION



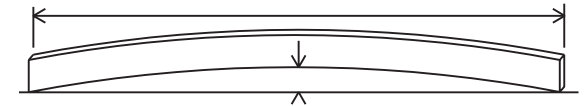
**3-C**

SECURE SLIP-JOINT  
USING TWO  
STANDARD STAKES  
MOUNTED ON  
OPPOSING SIDES  
LEAVING A GAP FOR  
THERMAL EXPANSION



## BEND-A-BOARD CHART

	ACTUAL DIMENSIONS	MINIMUM RADIUS POSSIBLE	MAXIMUM CROWN POSSIBLE
1/2X4	3" X 5/16" X 20'	6"	22"/20'
1X4	3 3/8" X 1 1/16" X 20'	24"	19"/20'
2X4	3 3/8" X 1 3/8" X 20'	36"	16"/20'
1X6	5 3/8" X 1 1/16" X 20'	24"	9"/20'
2X6	5 3/8" X 1 3/8" X 16'	36"	N/A



SEE CHART FOR MAX. CROWN LENGTH & HEIGHT

NOTES:

- COLOR BROWN
- USE COARSE WOOD WORKING TOOLS FOR CUTTING & DRILLING
- USE PLATED SCREWS TO JOIN BOARD TO STAKE
- STAKE APPROX 3' 0" OC

**SLIP JOINTS MUST BE ABLE TO EXPAND AND CONTRACT AS TEMPERATURES CHANGE. ALWAYS INSTALL WITH THE GAP SPECIFIED BELOW.**

1X4 @ 1/4" - 1/2"    2X4 @ 1/2" - 3/4"

1X6 @ 1/2" - 3/4"    2X6 @ 3/4" - 1"

WARM WEATHER INSTALL MIN GAP  
COLD WEATHER INSTALL MAX GAP

RECOMMENDED GAP SETTING  
AT THE SLIP JOINT IS BASED ON PLASTIC THERMAL EXPANSION.

**DO NOT SCREW THROUGH THE  
SLIP JOINT**

