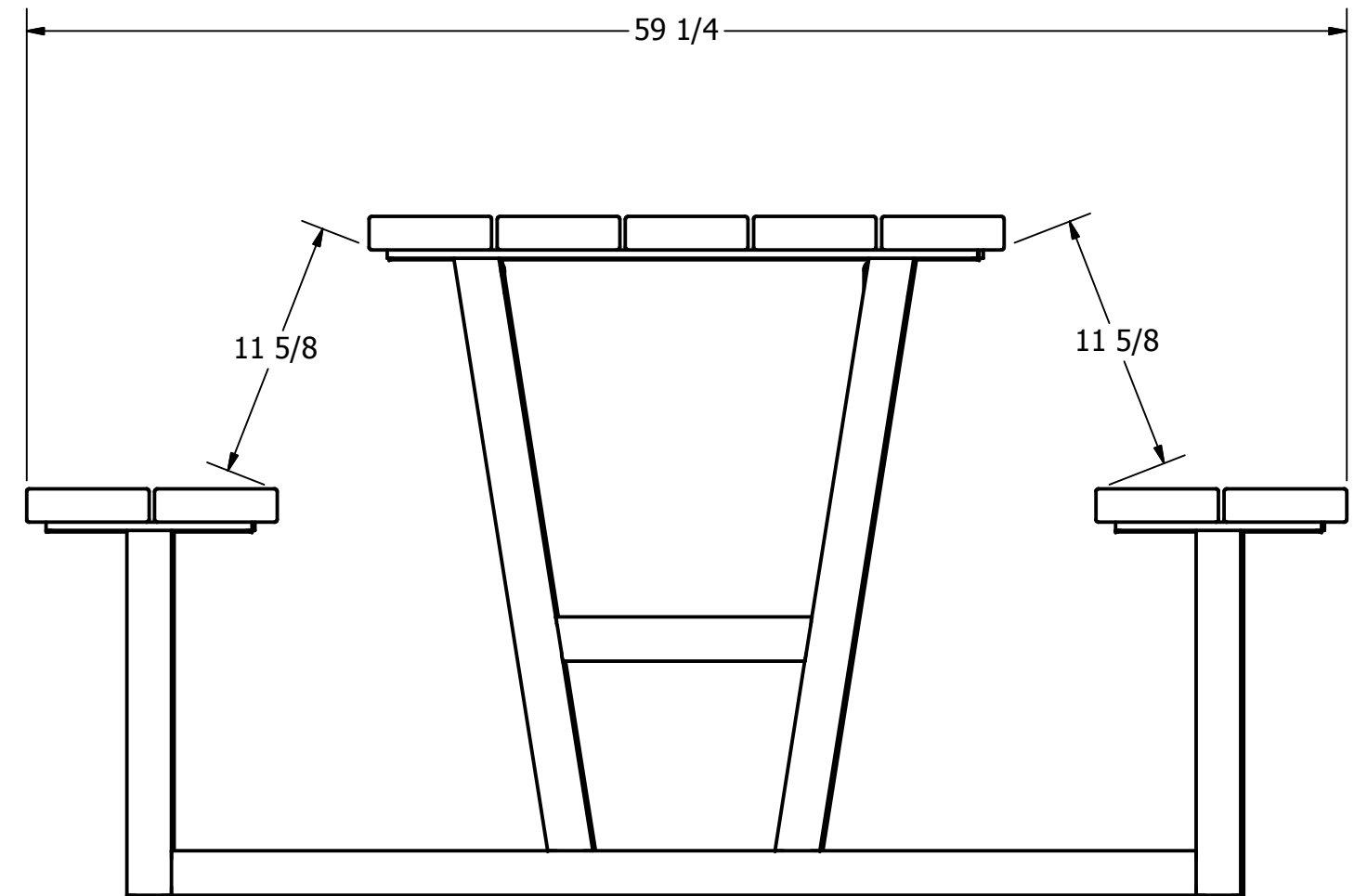
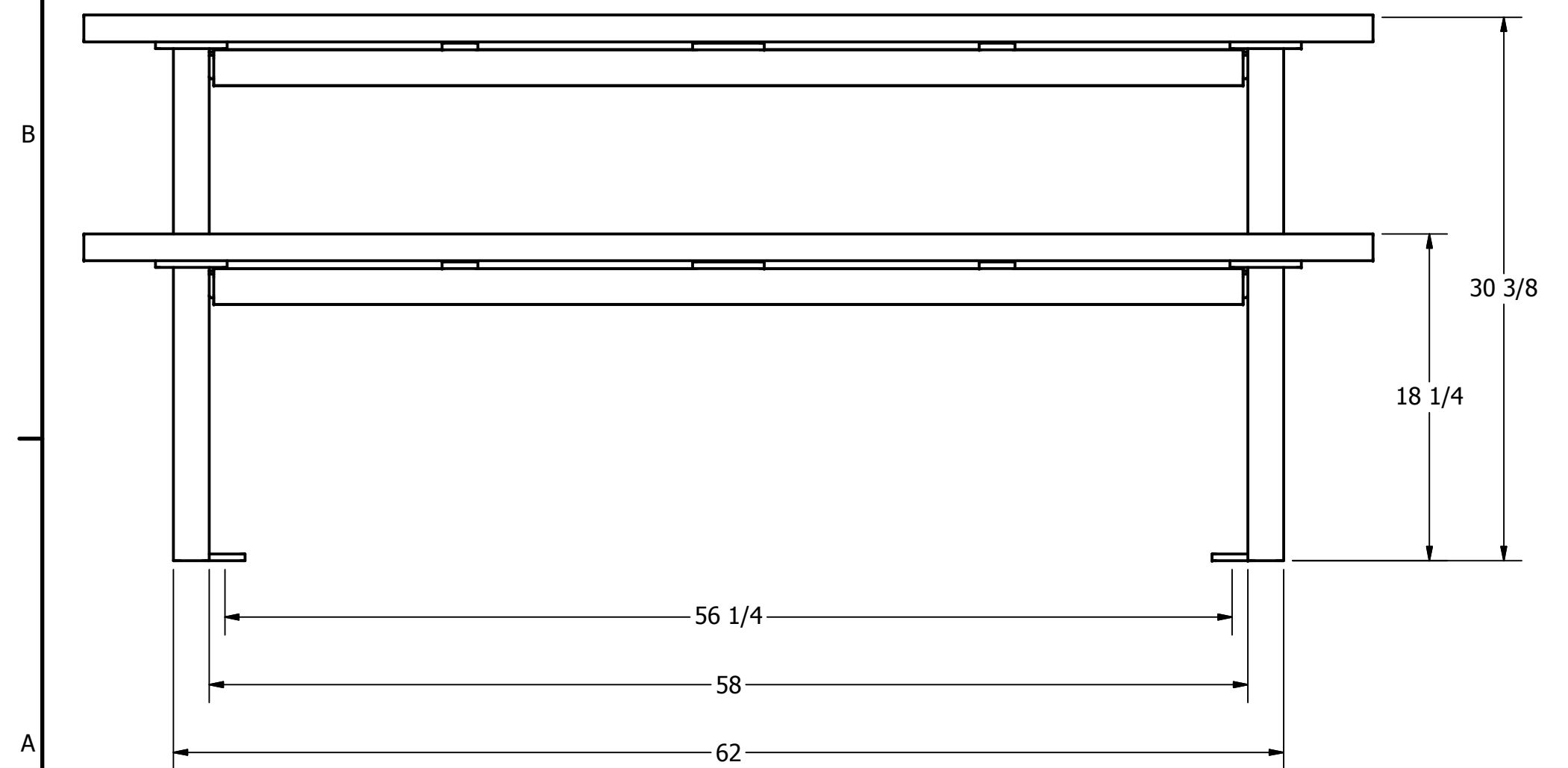


APPROXIMATE WEIGHT = 365 LBS



DRAWN DRESENER	10/10/2008	Wishbone Industries	
CHECKED			
QA			
MFG			
APPROVED		TITLE	
PROPRIETARY AND CONFIDENTIAL THE INFORMATION CONTAINED ON THIS DRAWING IS THE SOLE PROPERTY OF WISHBONE INDUSTRIES LTD. ANY REPRODUCTION IN PART OR WHOLE WITHOUT WRITTEN CONSENT OF WISHBONE INDUSTRIES LTD IS PROHIBITED.		TOLERANCES UNLESS OTHERWISE SPECIFIED FRACTIONAL +/- 1/32 TWO DECIMAL +/- .015 THREE DECIMAL +/- .005 ANGLE +/- 1°	
SCALE	C	DWG NO PTFFAL-6	REV NEW
		SHEET 1 OF 2	