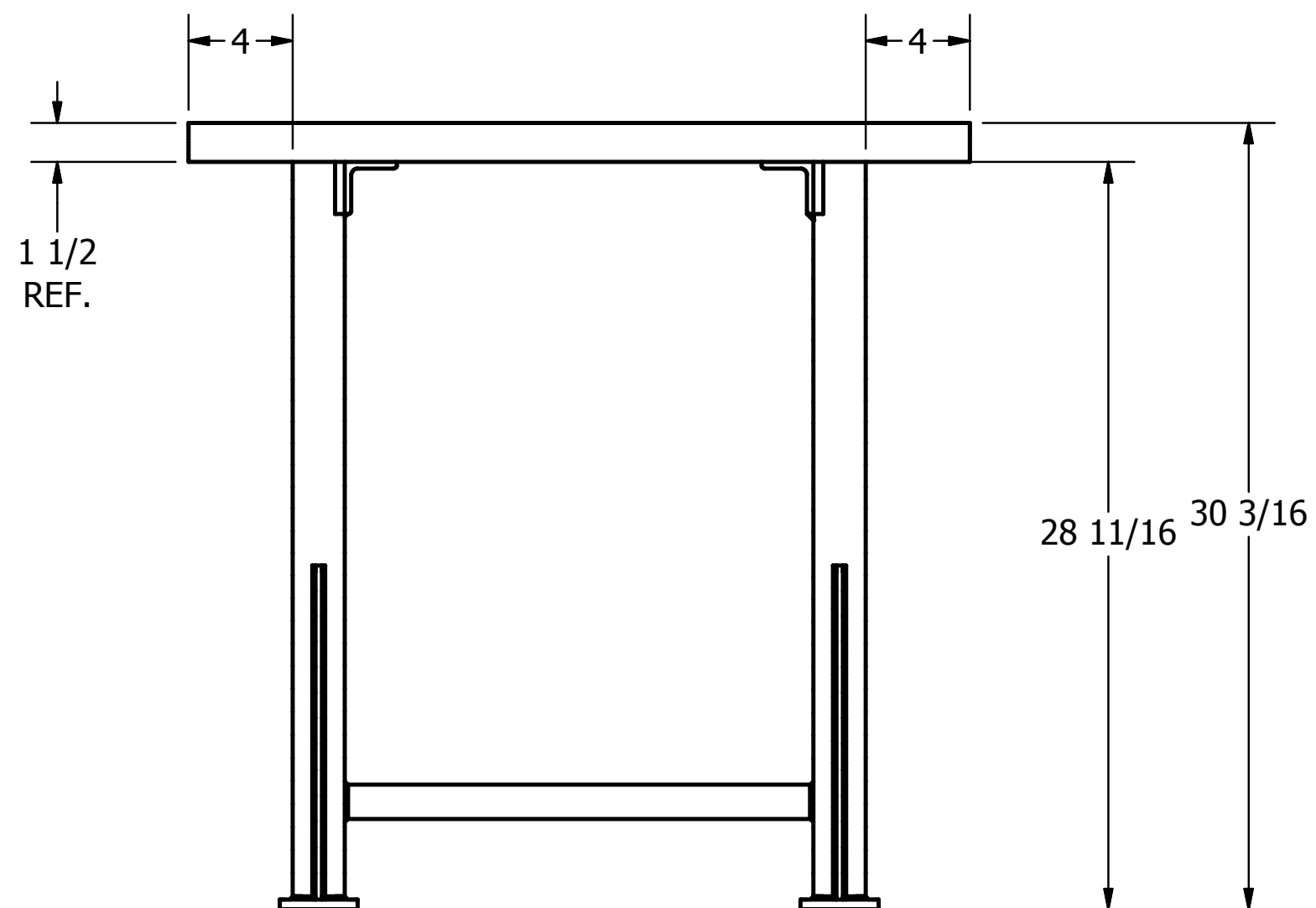


APPROXIMATE WEIGHT = 65 LBS



DRAWN DERRICK RESENER	17/10/2007
CHECKED DERRICK RESENER	18/10/2007
CUSTOMER SIGNATURE	
MFG DERRICK RESENER	18/10/2007
APPROVED DERRICK RESENER	18/10/2007
<small>PROPRIETARY AND CONFIDENTIAL THE INFORMATION CONTAINED ON THIS DRAWING IS THE SOLE PROPERTY OF WISHBONE INDUSTRIES. ANY REPRODUCTION IN PART OR WHOLE WITHOUT WRITTEN CONSENT OF WISHBONE INDUSTRIES IS PROHIBITED.</small>	
<small>TOLERANCES UNLESS OTHERWISE SPECIFIED FRACTIONAL +/- 1/32 TWO DECIMAL +/- .015 THREE DECIMAL +/- .005 ANGLE +/- 1°</small>	

<b>Wishbone Industries</b>		
TITLE		
PARKER SERIES TABLE		
SIZE B	DWG NO PKT-30	REV NEW
SCALE	SHEET 1 OF 3	