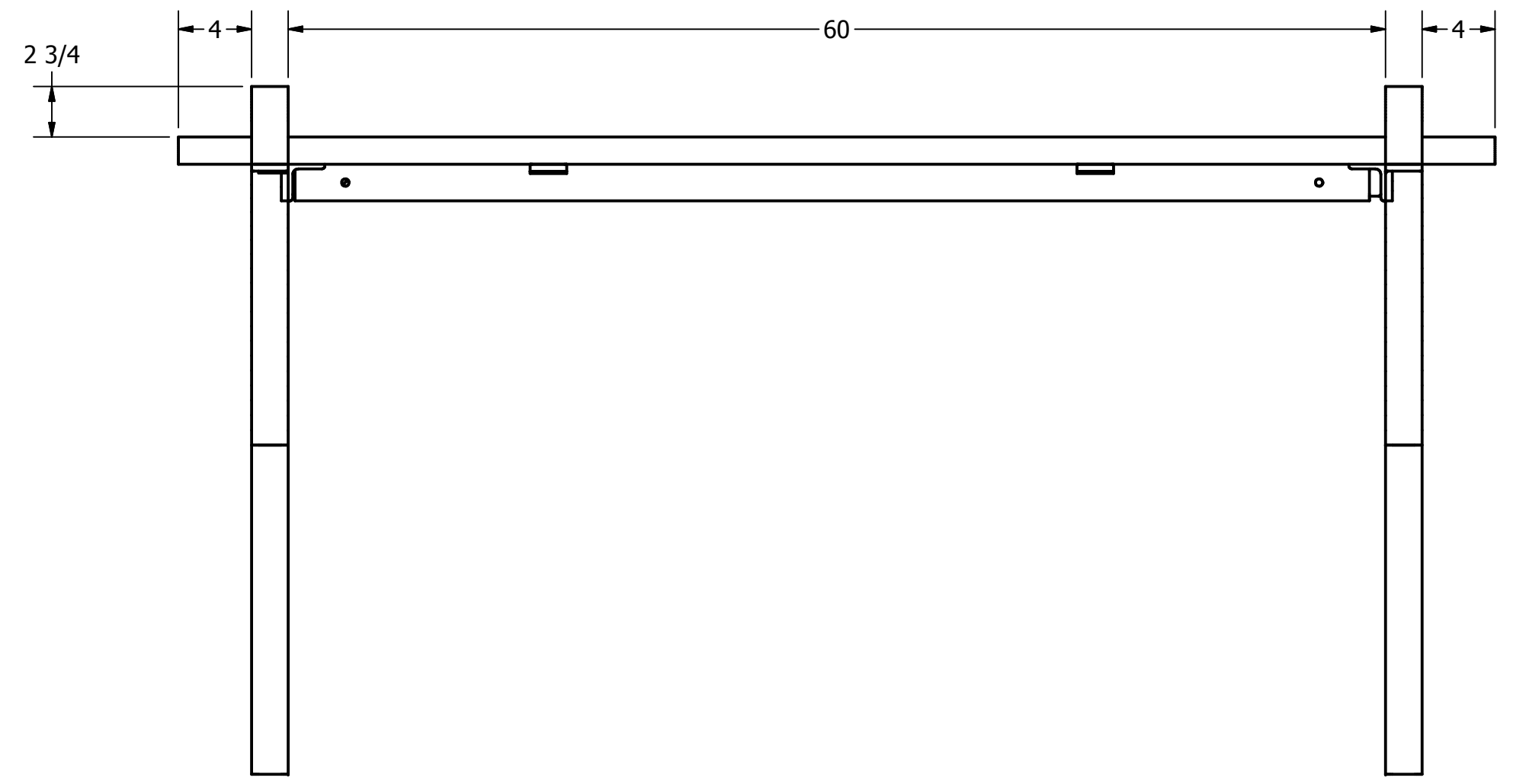
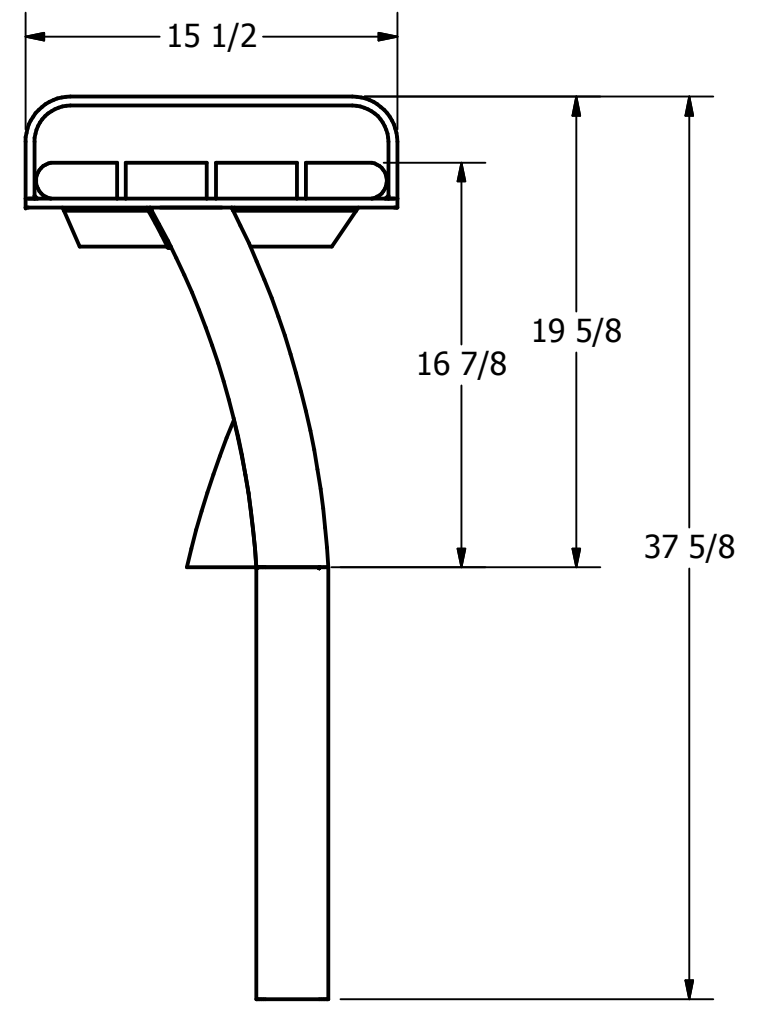


APPROXIMATE WEIGHT = 94 LBS



DRAWN DRESENER	20/01/2009	<b>Wishbone Industries</b>	
CHECKED		TITLE	
QA		PARKER SERIES STRAIGHT BENCH	
MFG		WITH ARMS DIRECT BURIAL	
APPROVED		SIZE	DWG NO
PROPRIETARY AND CONFIDENTIAL THE INFORMATION CONTAINED ON THIS DRAWING IS THE SOLE PROPERTY OF WISHBONE INDUSTRIES LTD. ANY REPRODUCTION IN PART OR WHOLE WITHOUT WRITTEN CONSENT OF WISHBONE INDUSTRIES LTD IS PROHIBITED.		TOLERANCES UNLESS OTHERWISE SPECIFIED FRACTIONAL +/- 1/32 TWO DECIMAL +/- .015 THREE DECIMAL +/- .005 ANGLE +/- 1°	
		C	PKSBWA-6-DB
		SCALE	REV NEW
		SHEET 1 OF 1	