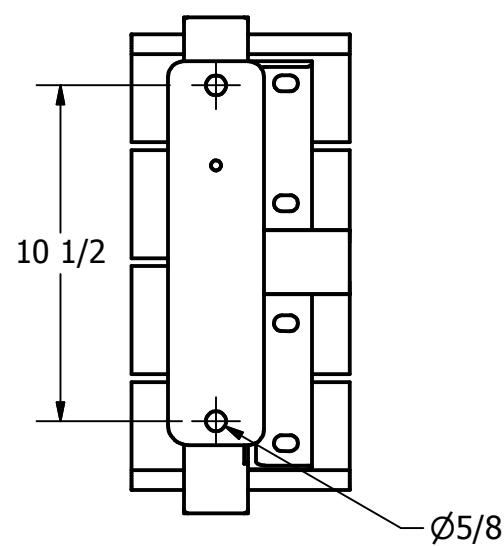
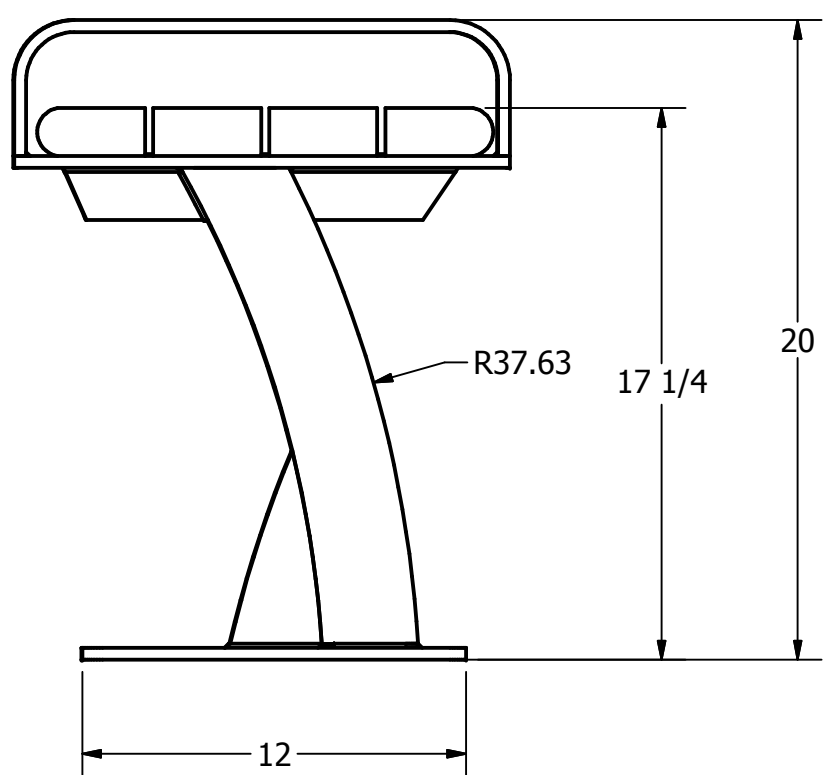
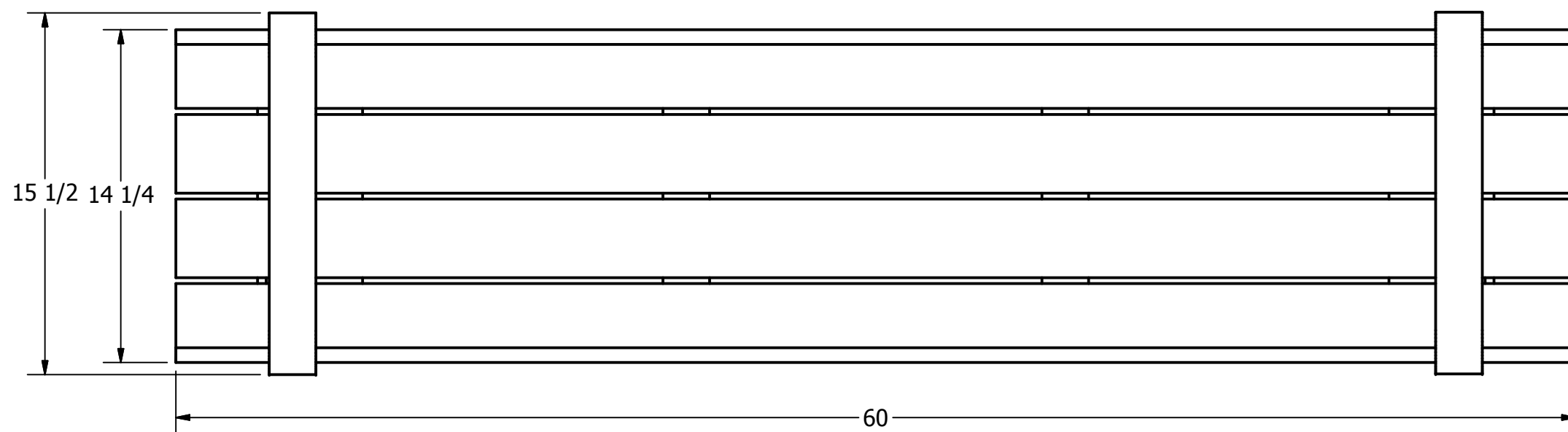
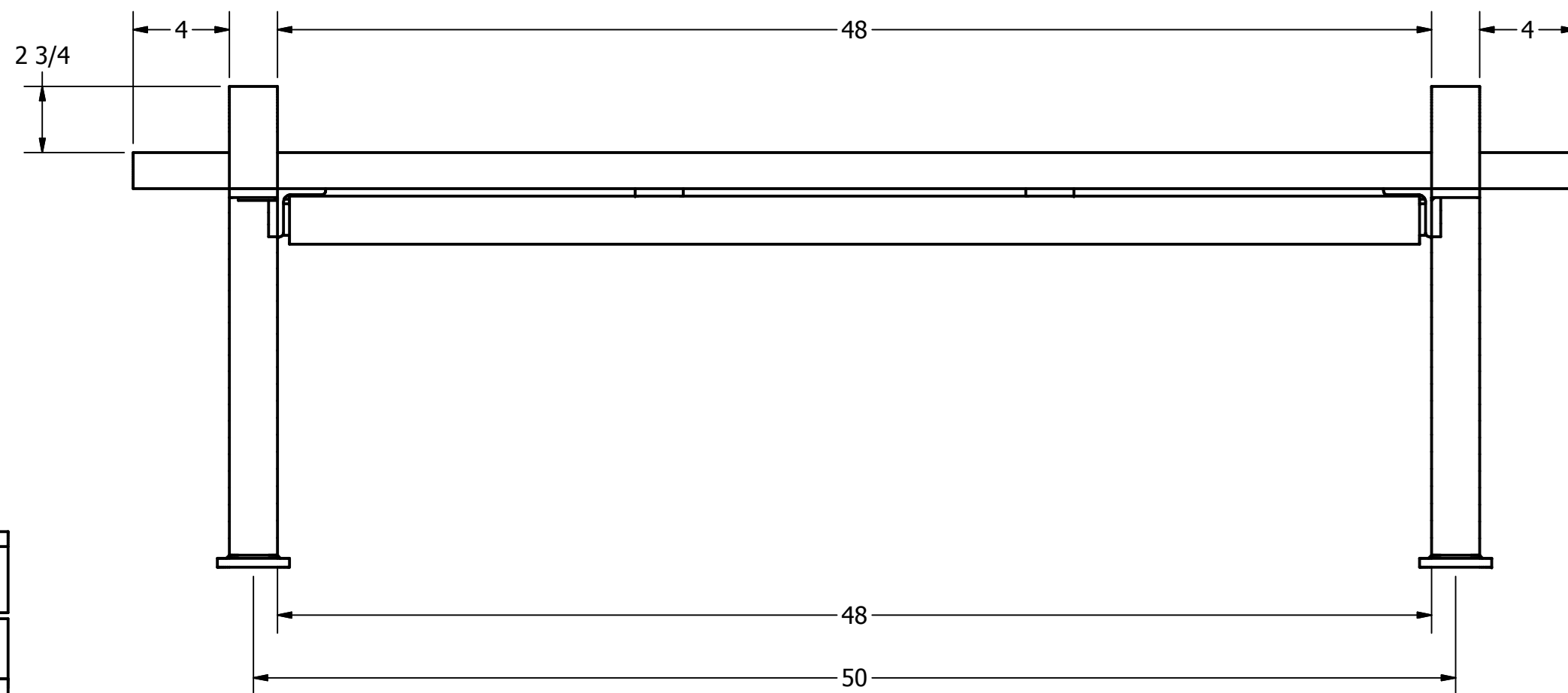


APPROXIMATE WEIGHT = 65 LBS



VIEW A-A  
FOOT PAD



DRAWN	Derrick Resener	26/01/2009	<b>Wishbone Industries</b>	
CHECKED				
QA				
MFG				
APPROVED			TITLE	
PROPRIETARY AND CONFIDENTIAL THE INFORMATION CONTAINED ON THIS DRAWING IS THE SOLE PROPERTY OF WISHBONE INDUSTRIES LTD.		TOLERANCES UNLESS OTHERWISE SPECIFIED FRACTIONAL +/- 1/32 TWO DECIMAL +/- .015 THREE DECIMAL +/- .005		SIZE <b>C</b>
ANY REPRODUCTION IN PART OR WHOLE WITHOUT WRITTEN CONSENT OF WISHBONE INDUSTRIES LTD IS PROHIBITED.		ANGLE +/- 1°	SCALE	DWG NO <b>PKSBWA-5</b>
			REV	
			SHEET 1 OF 1	