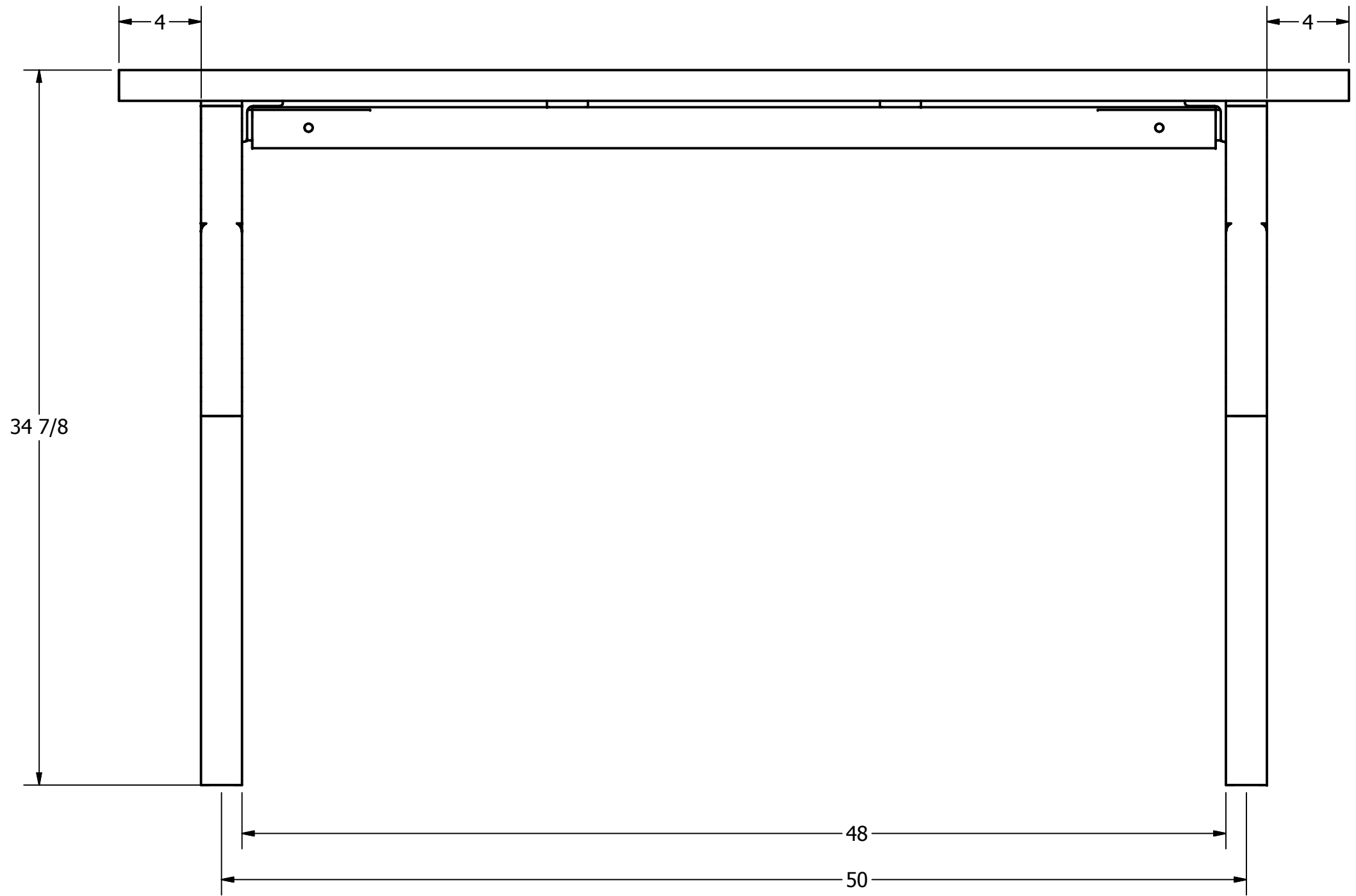
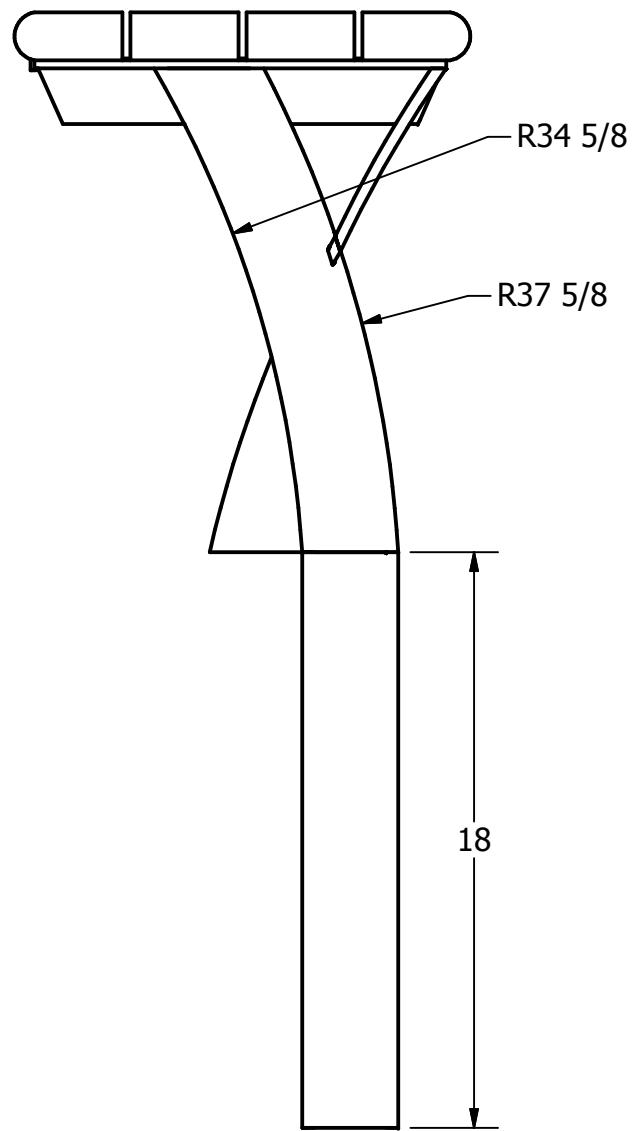


APPROXIMATE WEIGHT = 90 LBS



DRAWN	DRESENER	26/01/2009	Wishbone Industries		
CHECKED					
QA			TITLE		
MFG			PARKER STRAIGHT BENCH 6 FOOT		
APPROVED			DIRECT BURIAL		
PROPRIETARY AND CONFIDENTIAL THE INFORMATION CONTAINED ON THIS DRAWING IS THE SOLE PROPERTY OF WISHBONE INDUSTRIES LTD. ANY REPRODUCTION IN PART OR WHOLE WITHOUT WRITTEN CONSENT OF WISHBONE INDUSTRIES LTD IS PROHIBITED.		TOLERANCES UNLESS OTHERWISE SPECIFIED FRACTIONAL +/- 1/32 TWO DECIMAL +/- .015 THREE DECIMAL +/- .005 ANGLE +/- 1°	SIZE C	DWG NO PKSB-5-DB	REV NEW
		SCALE	SHEET 1 OF 1		