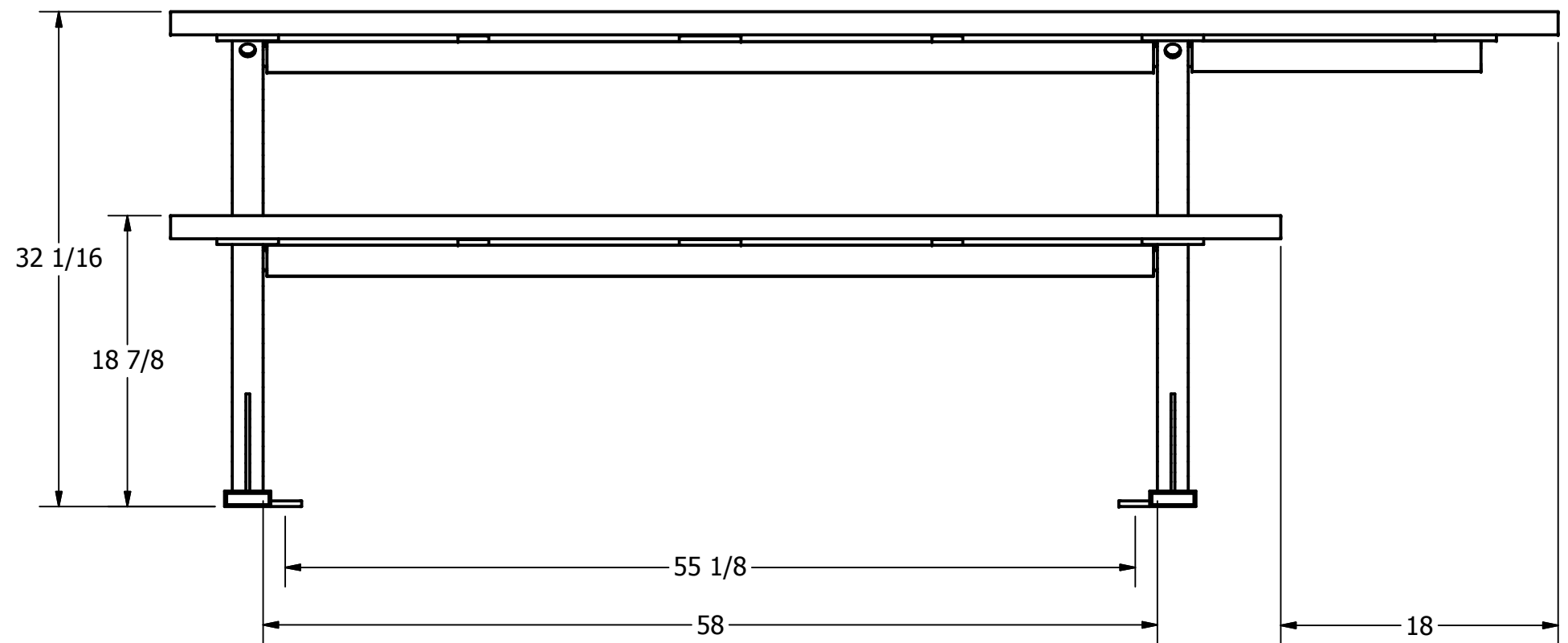
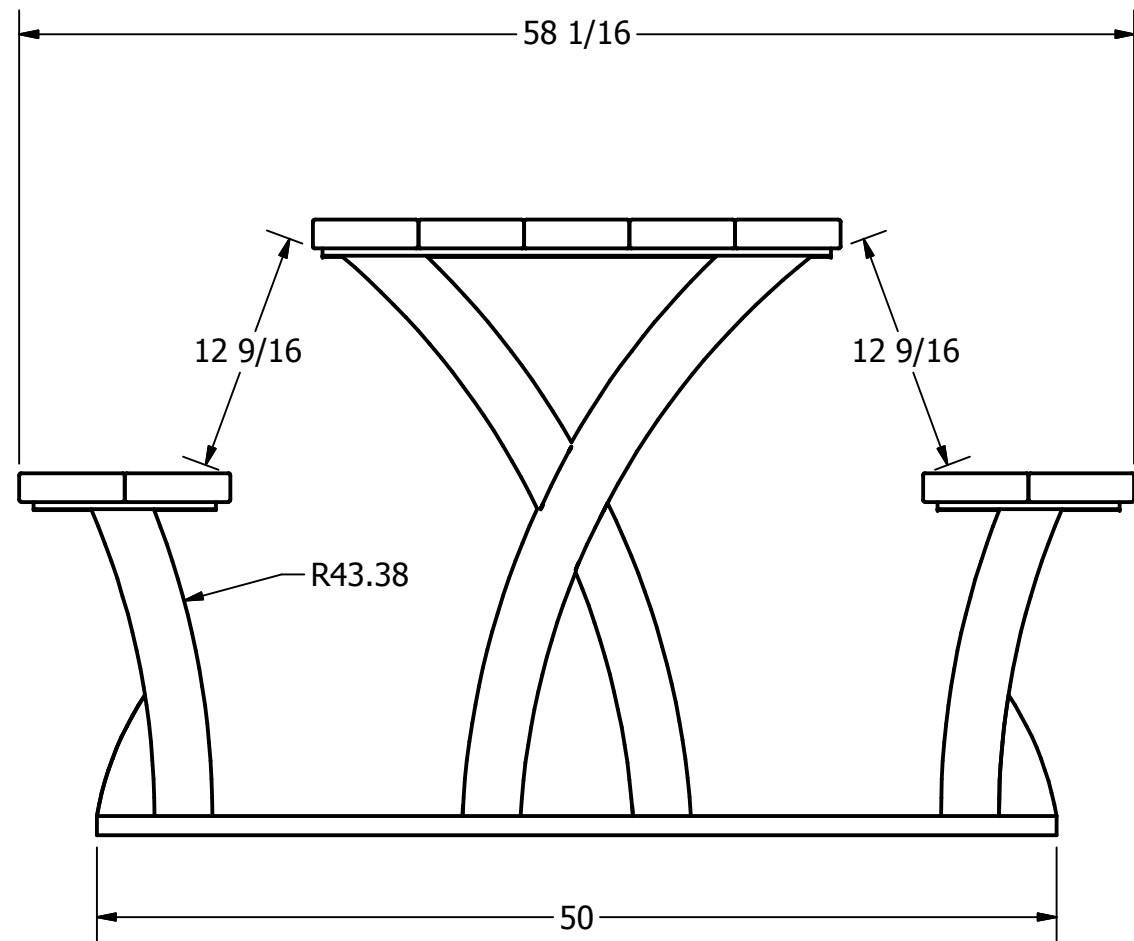
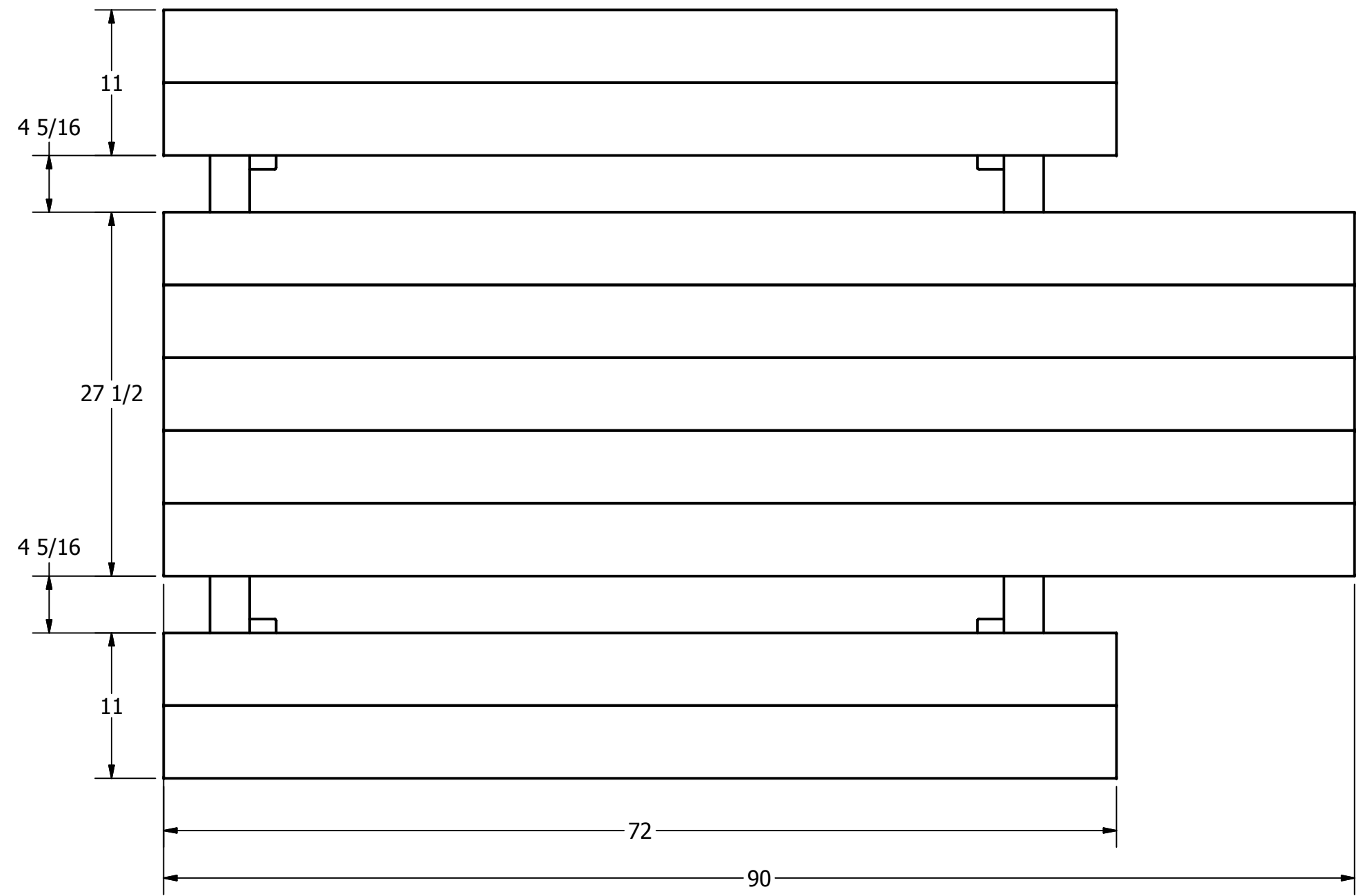


APPROXIMATE WEIGHT = 392 LBS



DRAWN	DRESENER	25/01/2009	Wishbone Industries	
CHECKED				
QA				
MFG				
APPROVED			TITLE	
PROPRIETARY AND CONFIDENTIAL THE INFORMATION CONTAINED ON THIS DRAWING IS THE SOLE PROPERTY OF WISHBONE INDUSTRIES LTD. ANY REPRODUCTION IN PART OR WHOLE WITHOUT WRITTEN CONSENT OF WISHBONE INDUSTRIES LTD IS PROHIBITED.			PARKER PICNIC TABLE HANDICAP EXTENSION 7 FOOT 6 INCHES	
TOLERANCES UNLESS OTHERWISE SPECIFIED FRACTIONAL +/- 1/32 TWO DECIMAL +/- .015 THREE DECIMAL +/- .005 ANGLE +/- 1°			SIZE C	DWG NO PKPTH-7.6
			SCALE	REV NEW
			SHEET 1 OF 1	