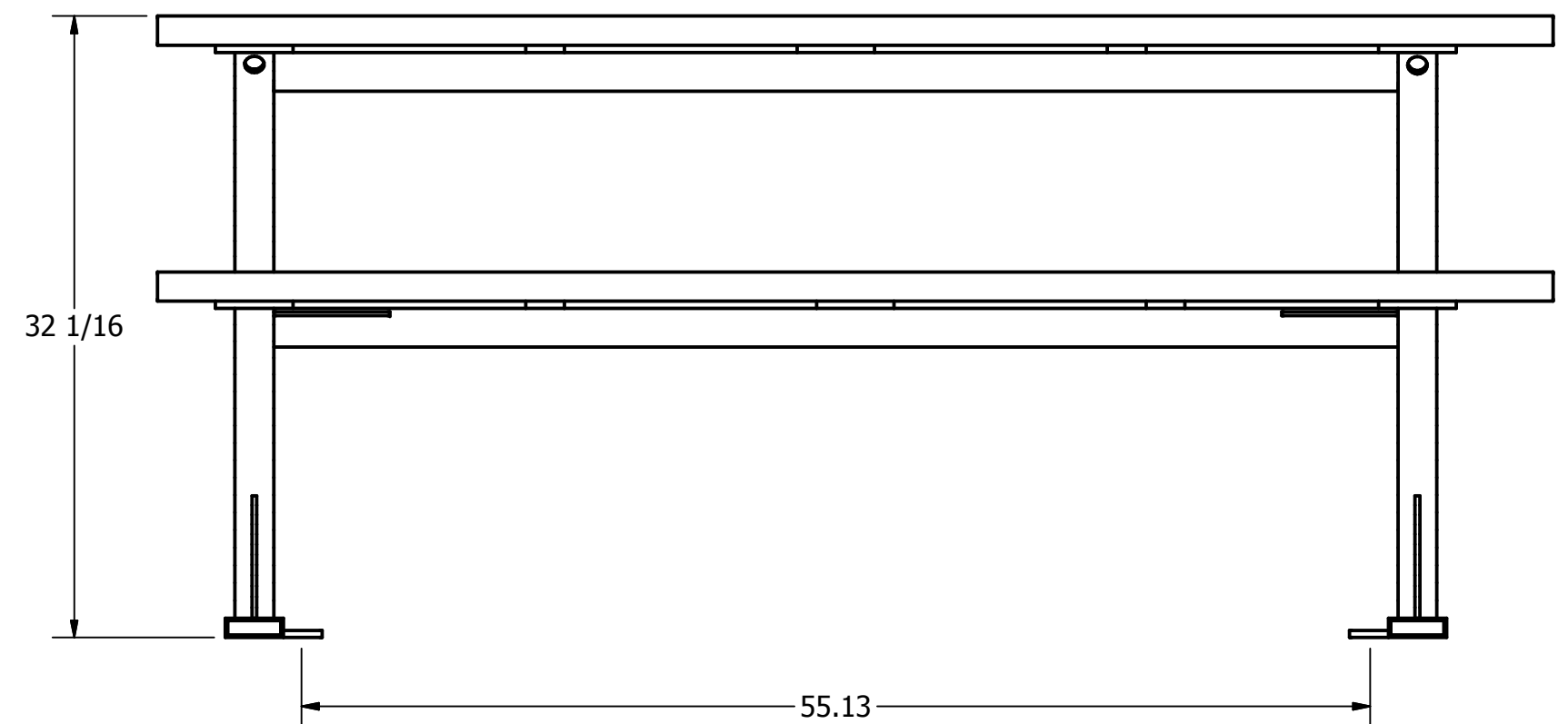
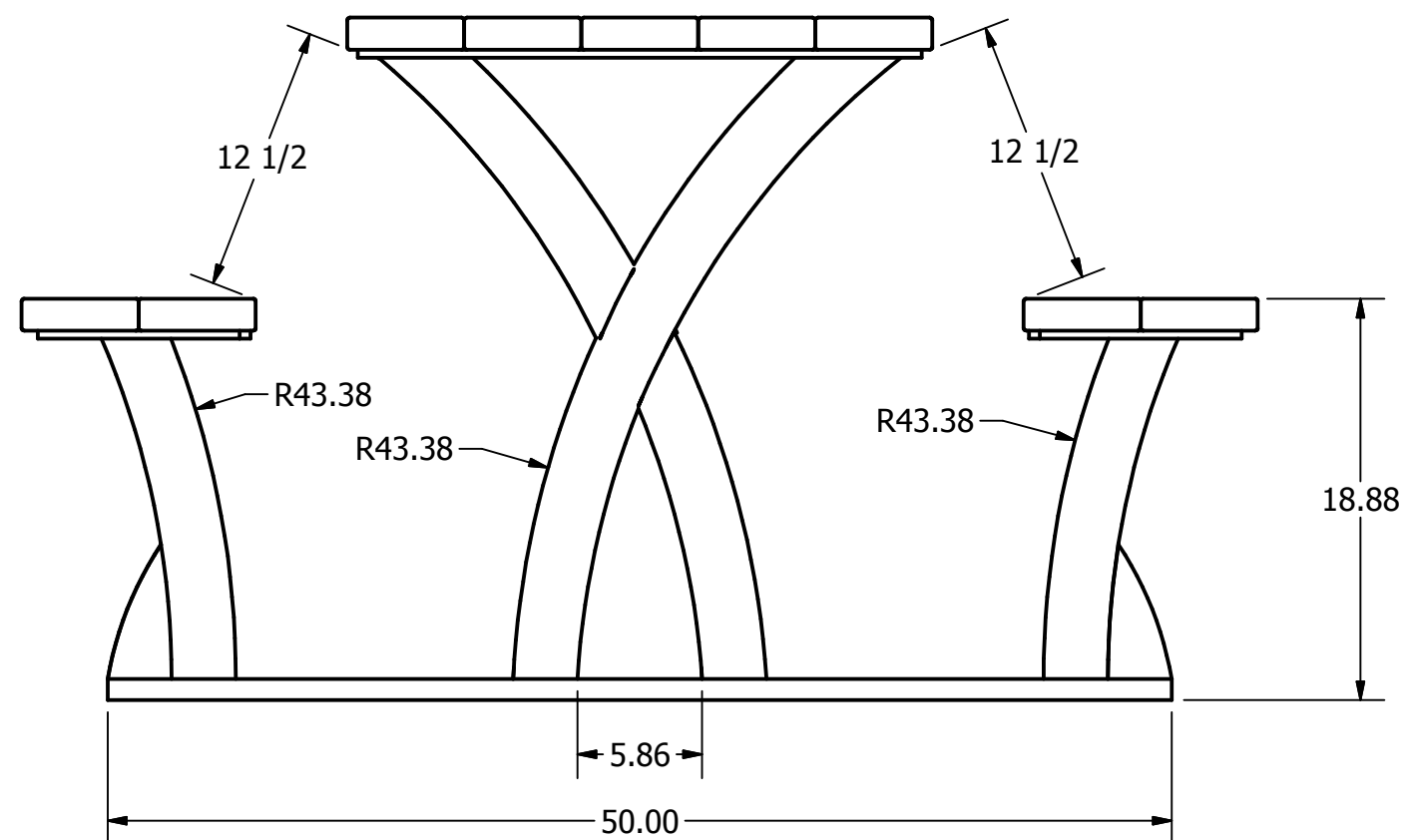
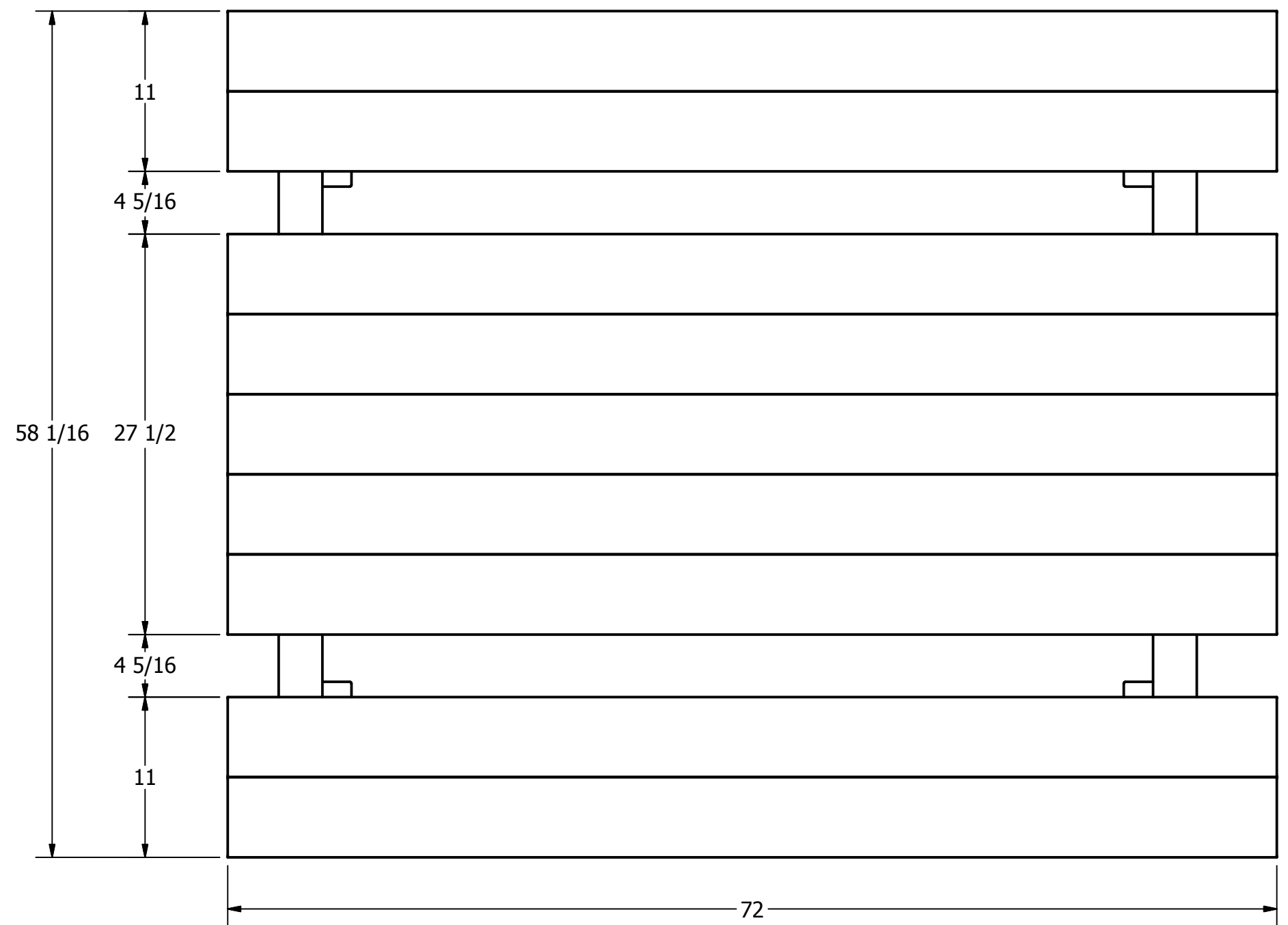


APPROXIMATE WEIGHT = 350 LBS



DRAWN DRESENER	20/01/2009	Wishbone Industries		
CHECKED				
QA				
MFG				
APPROVED		TITLE		
PROPRIETARY AND CONFIDENTIAL THE INFORMATION CONTAINED ON THIS DRAWING IS THE SOLE PROPERTY OF WISHBONE INDUSTRIES LTD. ANY REPRODUCTION IN PART OR WHOLE WITHOUT WRITTEN CONSENT OF WISHBONE INDUSTRIES LTD IS PROHIBITED.		PARKER PICNIC TABLE ASSEMBLY		
TOLERANCES UNLESS OTHERWISE SPECIFIED FRACTIONAL +/- 1/32 TWO DECIMAL +/- .015 THREE DECIMAL +/- .005 ANGLE +/- 1°		SIZE C	DWG NO PKPT-6	REV NEW
SCALE		SHEET 1 OF 1		