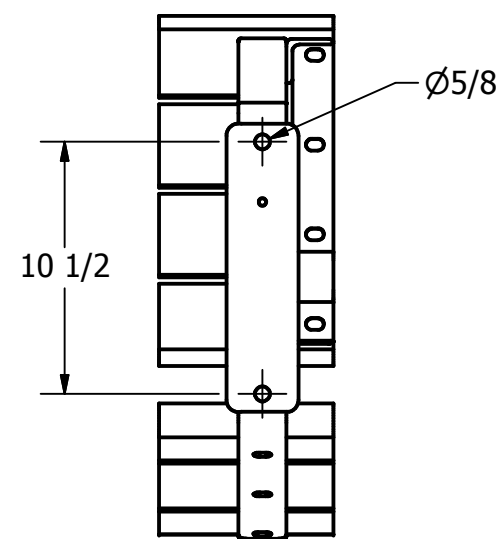
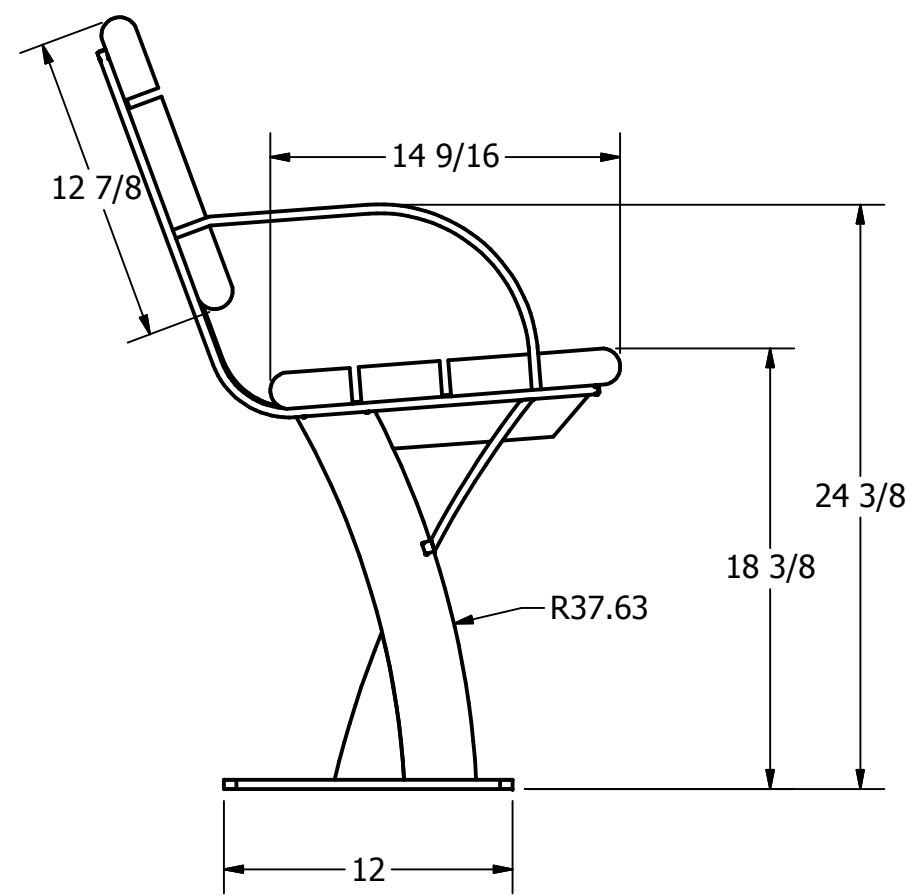
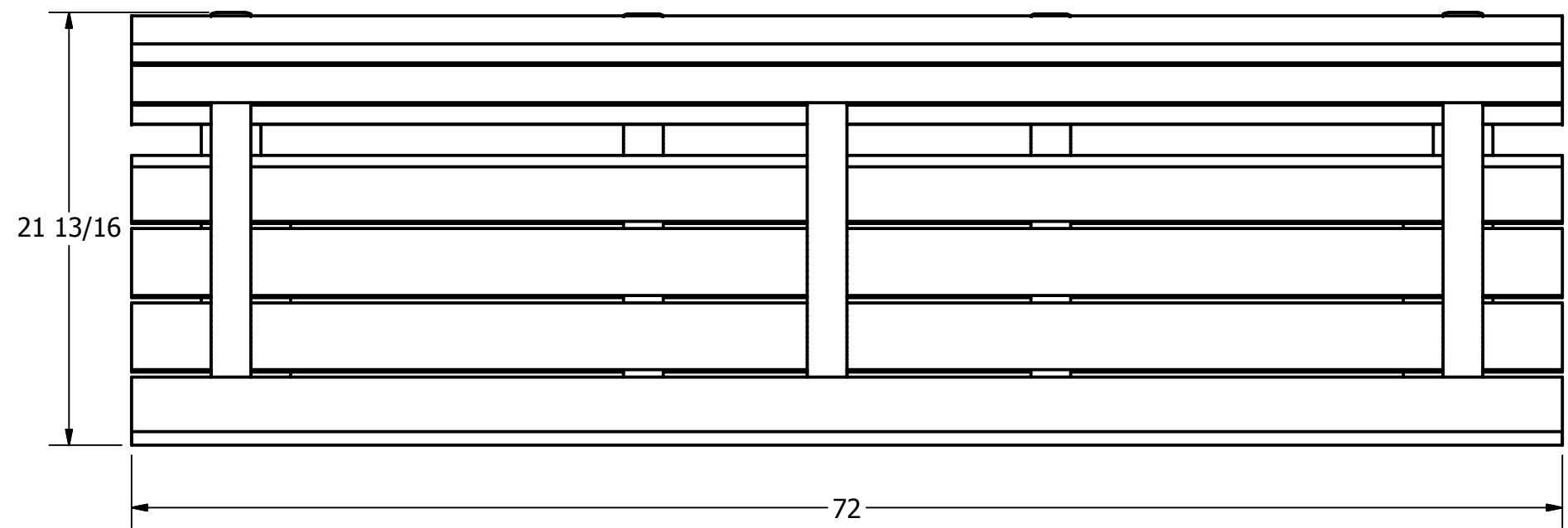
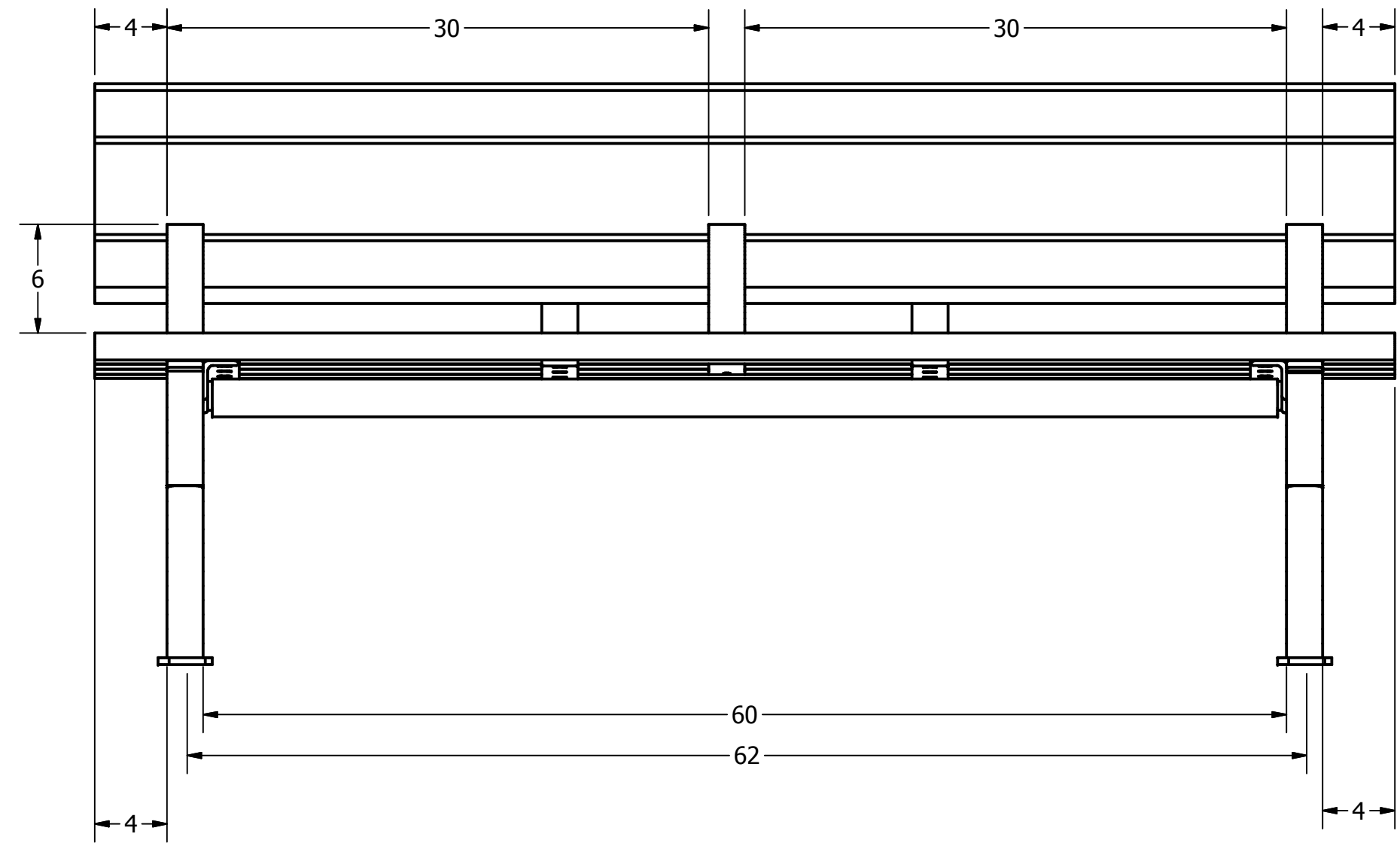


APPROXIMATE WEIGHT = 130 LBS



VIEW A-A
FOOT PAD



A ↑ ↓ A

DRAWN DRESENER	25/01/2009	Wishbone Industries	
CHECKED			
QA		TITLE	
MFG		PARKER BENCH 6 FOOT WITH CENTER ARM	
APPROVED		SIZE C	DWG NO PKBCA-6
PROPRIETARY AND CONFIDENTIAL THE INFORMATION CONTAINED ON THIS DRAWING IS THE SOLE PROPERTY OF WISHBONE INDUSTRIES LTD. ANY REPRODUCTION IN PART OR WHOLE WITHOUT WRITTEN CONSENT OF WISHBONE INDUSTRIES LTD IS PROHIBITED.	TOLERANCES UNLESS OTHERWISE SPECIFIED FRACTIONAL +/- 1/32 TWO DECIMAL +/- .015 THREE DECIMAL +/- .005 ANGLE +/- 1°	SCALE	REV NEW
		SHEET 1 OF 1	