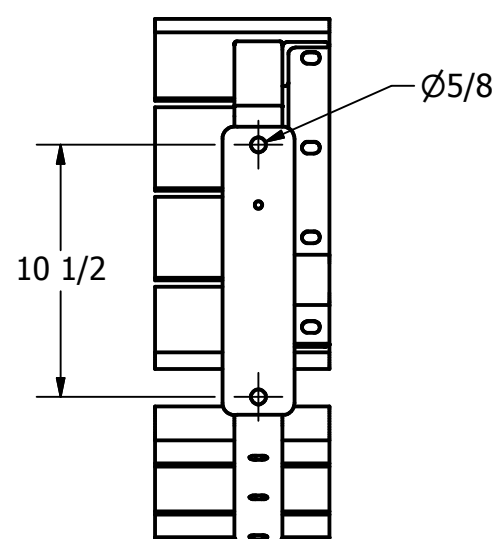
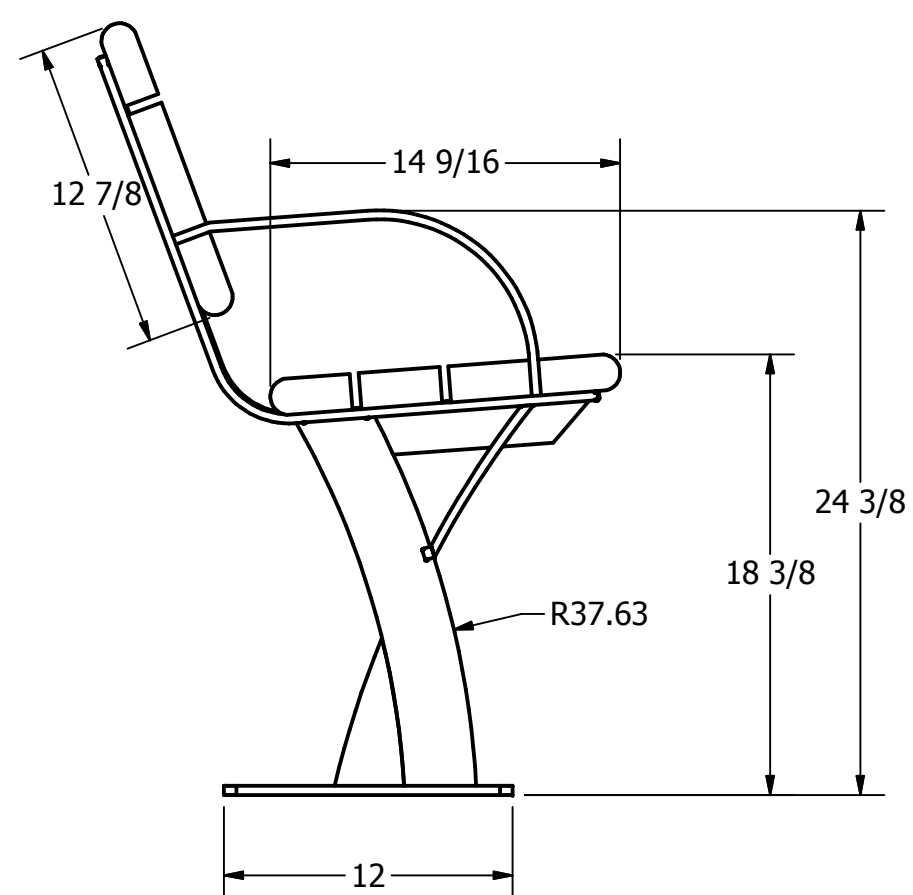
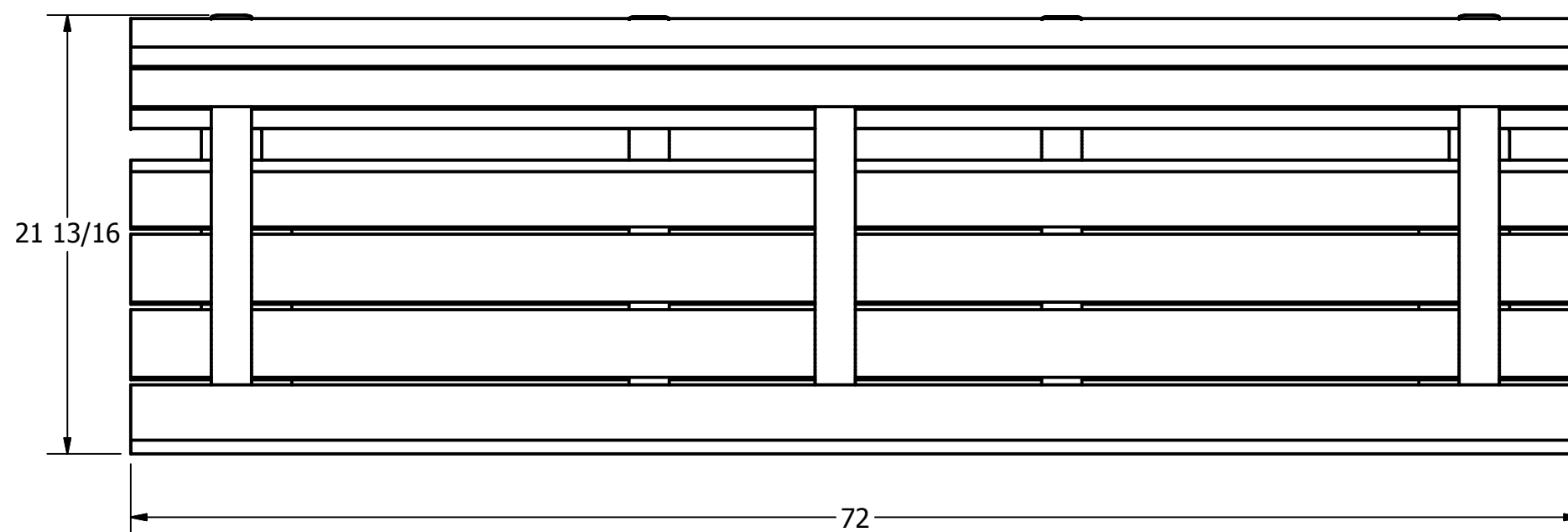
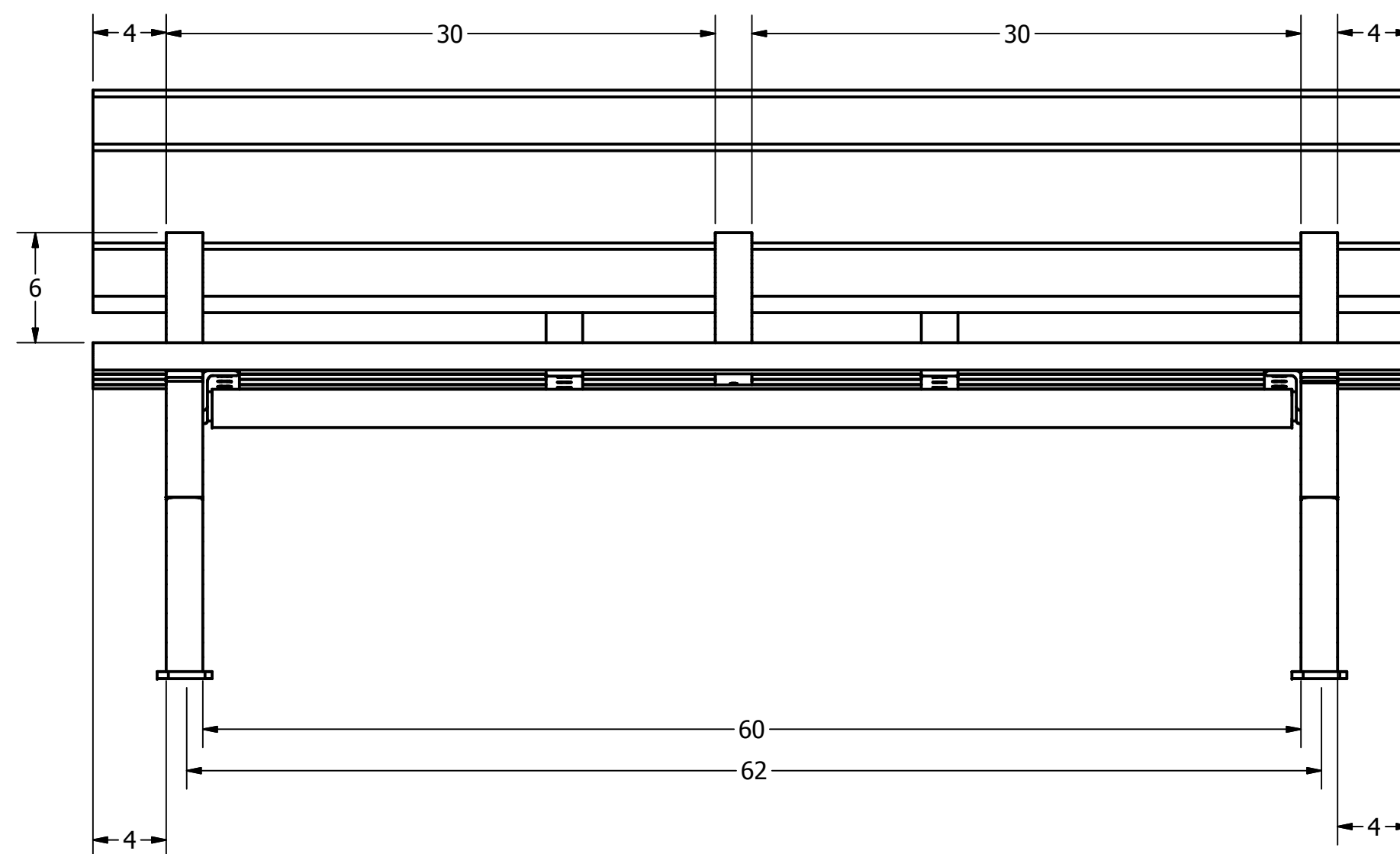


APPROXIMATE WEIGHT = 130 LBS



VIEW A-A
FOOT PAD



DRAWN	DRESENER	25/01/2009	Wishbone Industries	
CHECKED	QA			
MFG	APPROVED		TITLE	
PROPRIETARY AND CONFIDENTIAL THE INFORMATION CONTAINED ON THIS DRAWING IS THE SOLE PROPERTY OF WISHBONE INDUSTRIES LTD. ANY REPRODUCTION IN PART OR WHOLE WITHOUT WRITTEN CONSENT OF WISHBONE INDUSTRIES LTD IS PROHIBITED.			PARKER BENCH 6 FOOT WITH CENTER ARM	
TOLERANCES UNLESS OTHERWISE SPECIFIED FRACTIONAL +/- 1/32 TWO DECIMAL +/- .015 THREE DECIMAL +/- .005 ANGLE +/- 1°		SIZE C	DWG NO PKBCA-5	REV NEW
SCALE		SHEET 1 OF 1		