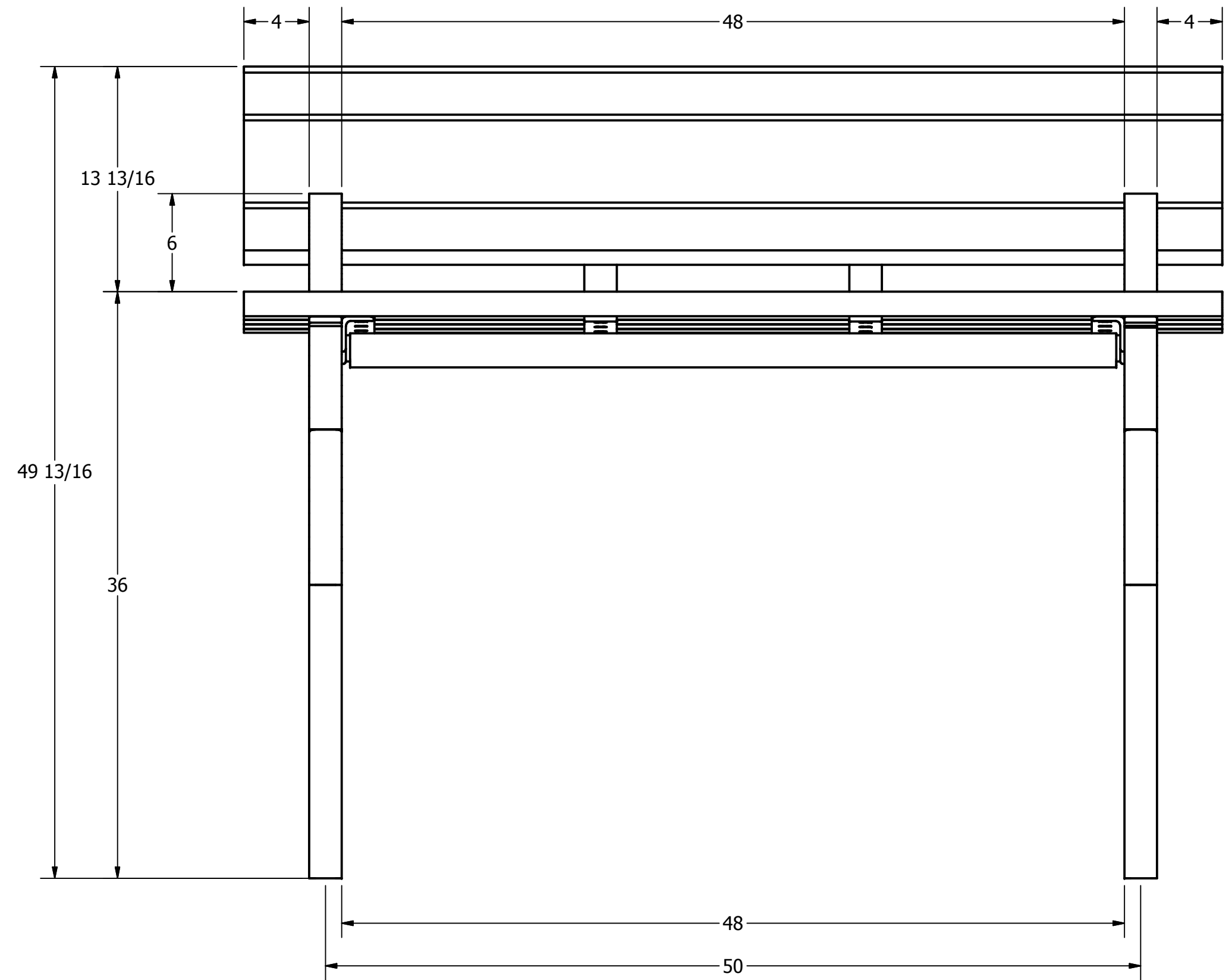
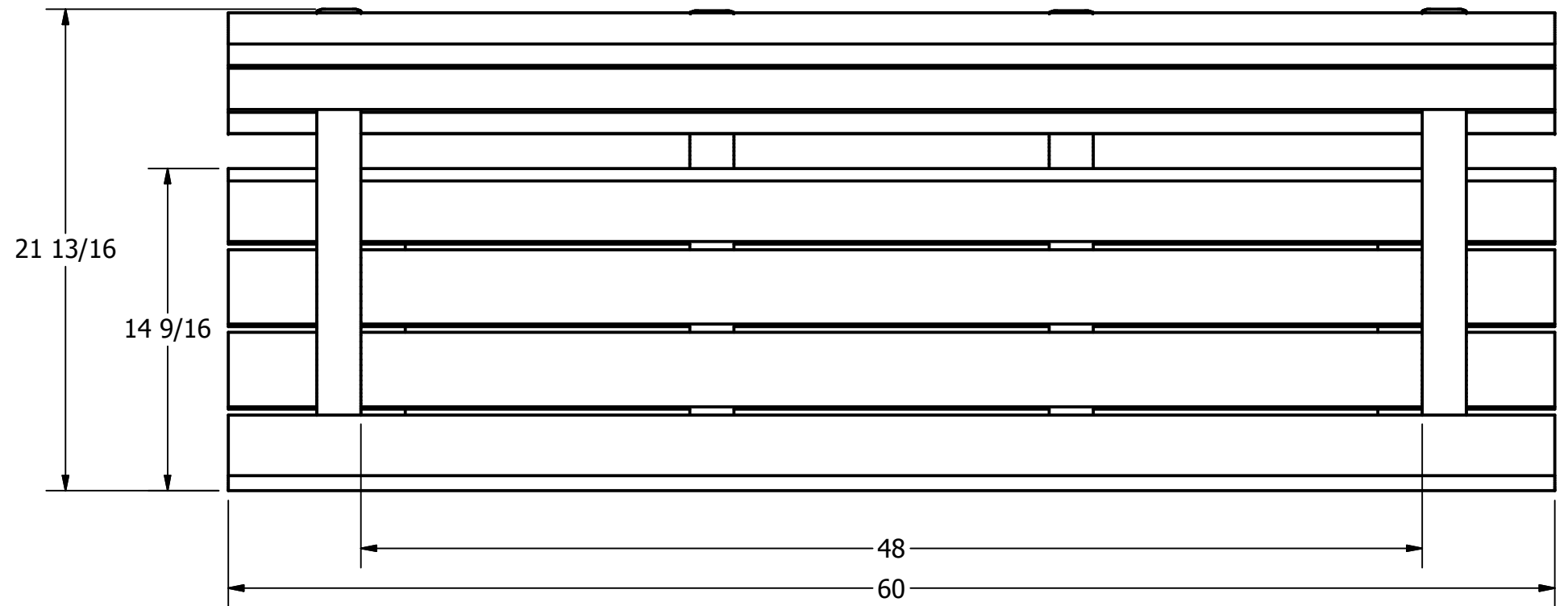
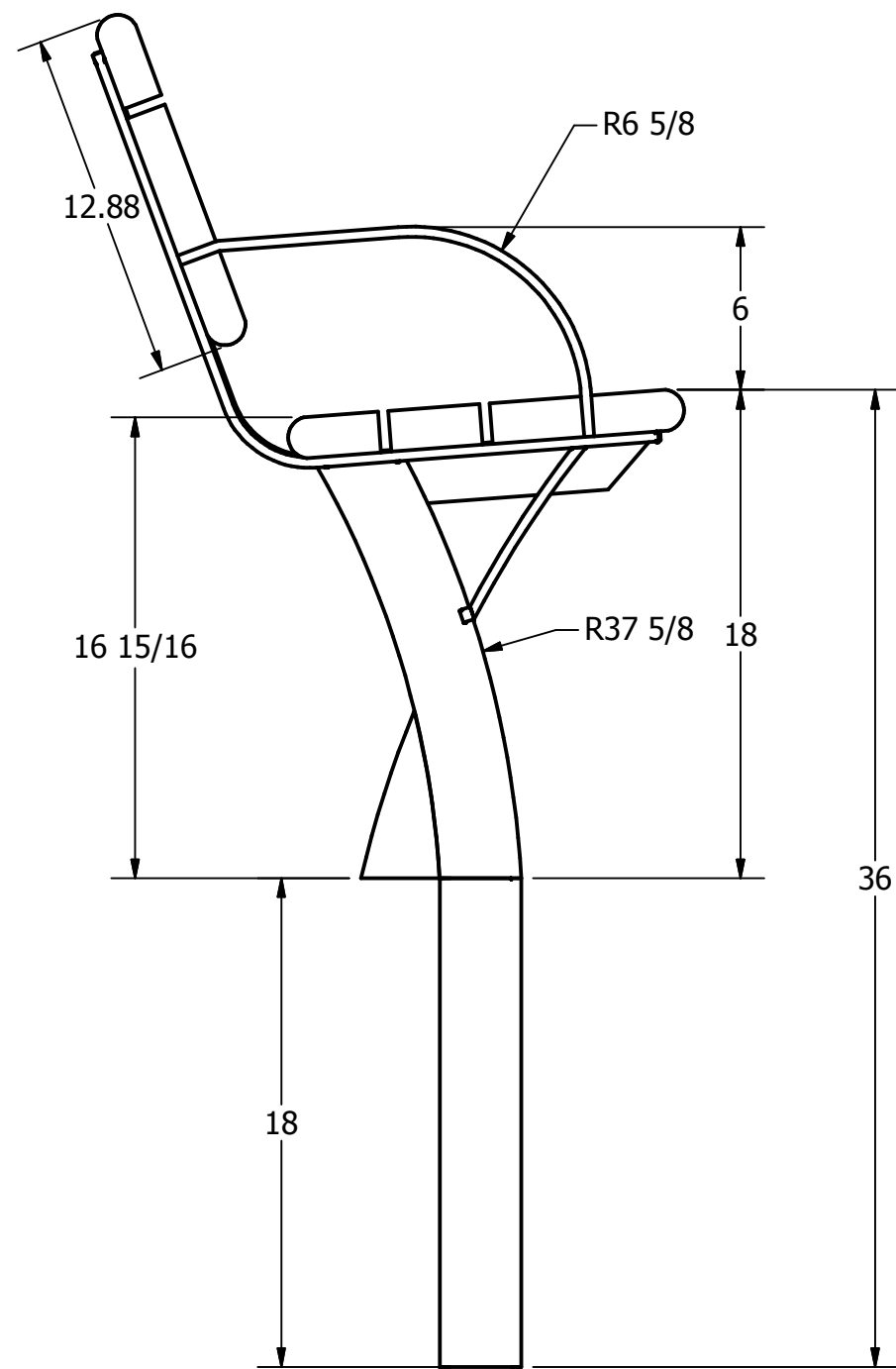


APPROXIMATE WEIGHT = 112 LBS



DRAWN DRESENER	26/01/2009	Wishbone Industries	
CHECKED			
QA			
MFG			
APPROVED		TITLE	
PROPRIETARY AND CONFIDENTIAL THE INFORMATION CONTAINED ON THIS DRAWING IS THE SOLE PROPERTY OF WISHBONE INDUSTRIES LTD. ANY REPRODUCTION IN PART OR WHOLE WITHOUT WRITTEN CONSENT OF WISHBONE INDUSTRIES LTD IS PROHIBITED.		PARKER BENCH 6 FOOT DIRECT BURIAL	
TOLERANCES UNLESS OTHERWISE SPECIFIED FRACTIONAL +/- 1/32 TWO DECIMAL +/- .015 THREE DECIMAL +/- .005 ANGLE +/- 1°		SIZE C	DWG NO PKB-5-DB
		SCALE	REV NEW
		SHEET 1 OF 1	