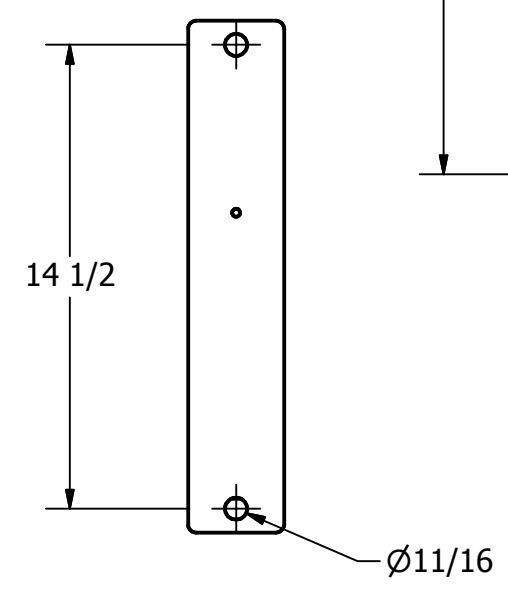
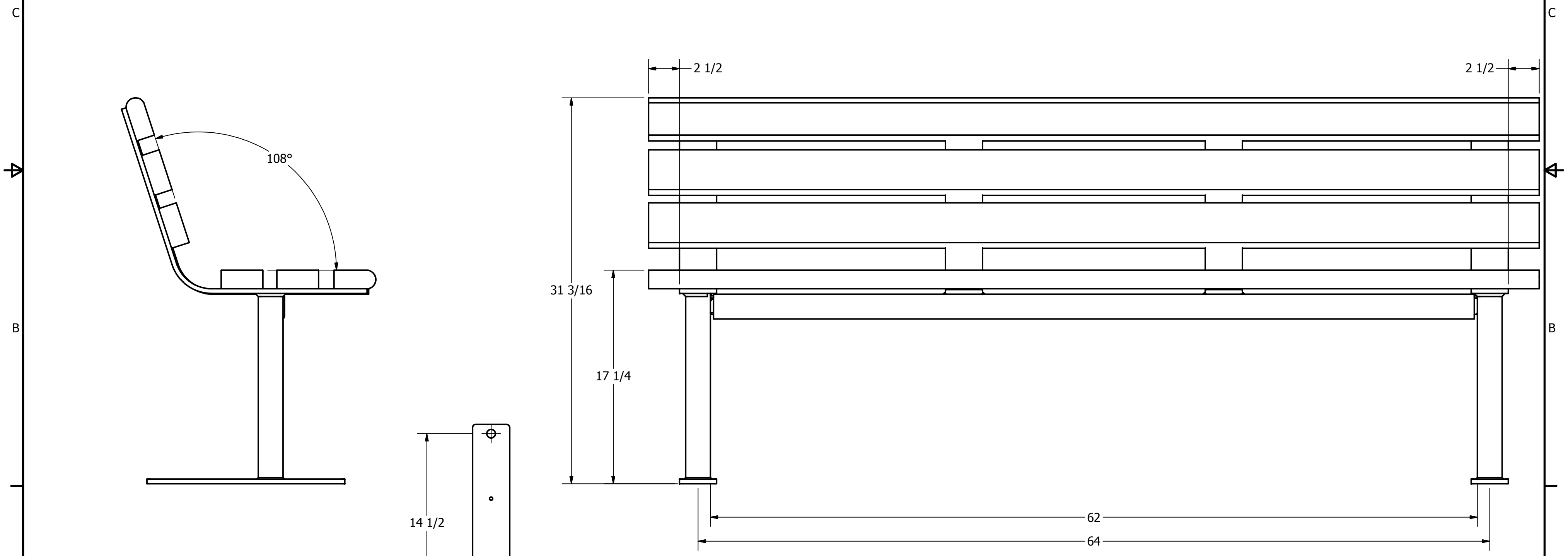


APPROXIMATE WEIGHT = 134 LBS



DRAWN DRESENER	27/05/2008	Wishbone Industries		
CHECKED				
QA				
MFG				
APPROVED		TITLE PB-6 STRAIGHT BENCH ASSEMBLY		
PROPRIETARY AND CONFIDENTIAL THE INFORMATION CONTAINED ON THIS DRAWING IS THE SOLE PROPERTY OF WISHBONE INDUSTRIES LTD. ANY REPRODUCTION IN PART OR WHOLE WITHOUT WRITTEN CONSENT OF WISHBONE INDUSTRIES LTD IS PROHIBITED.	TOLERANCES UNLESS OTHERWISE SPECIFIED FRACTIONAL +/- 1/32 TWO DECIMAL +/- .015 THREE DECIMAL +/- .005 ANGLE +/- 1°	SIZE C	DWG NO PB-6	REV NEW
		SCALE	SHEET 2 OF 2	