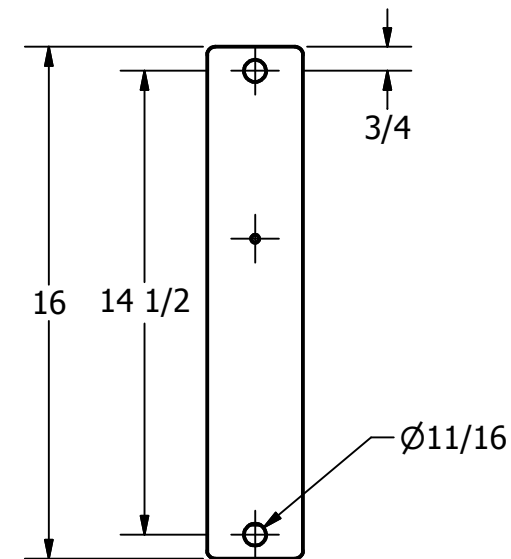
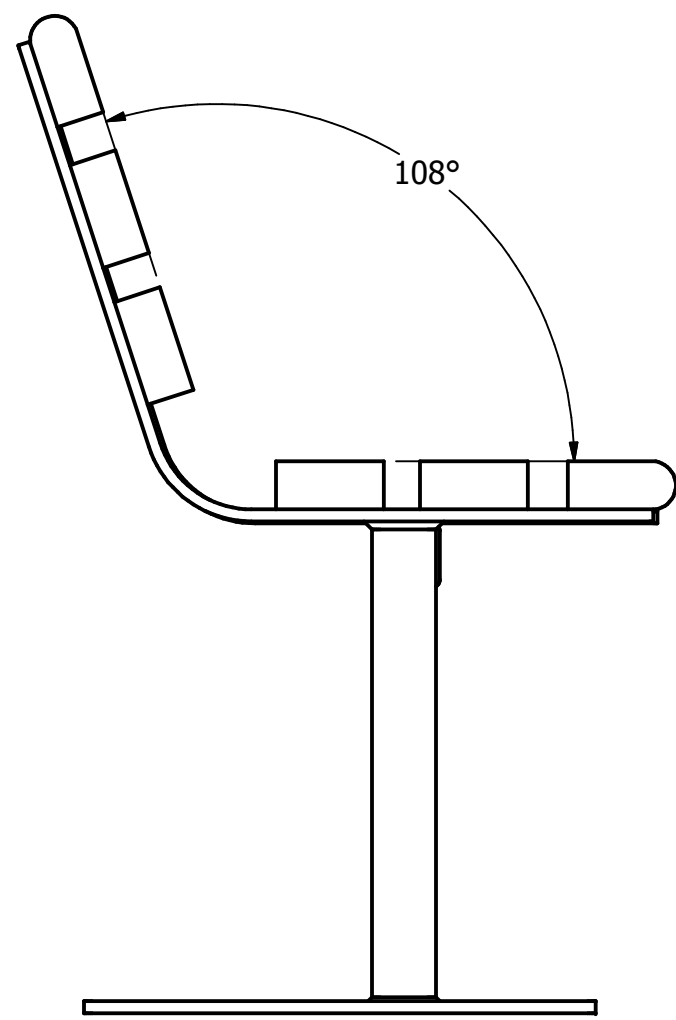
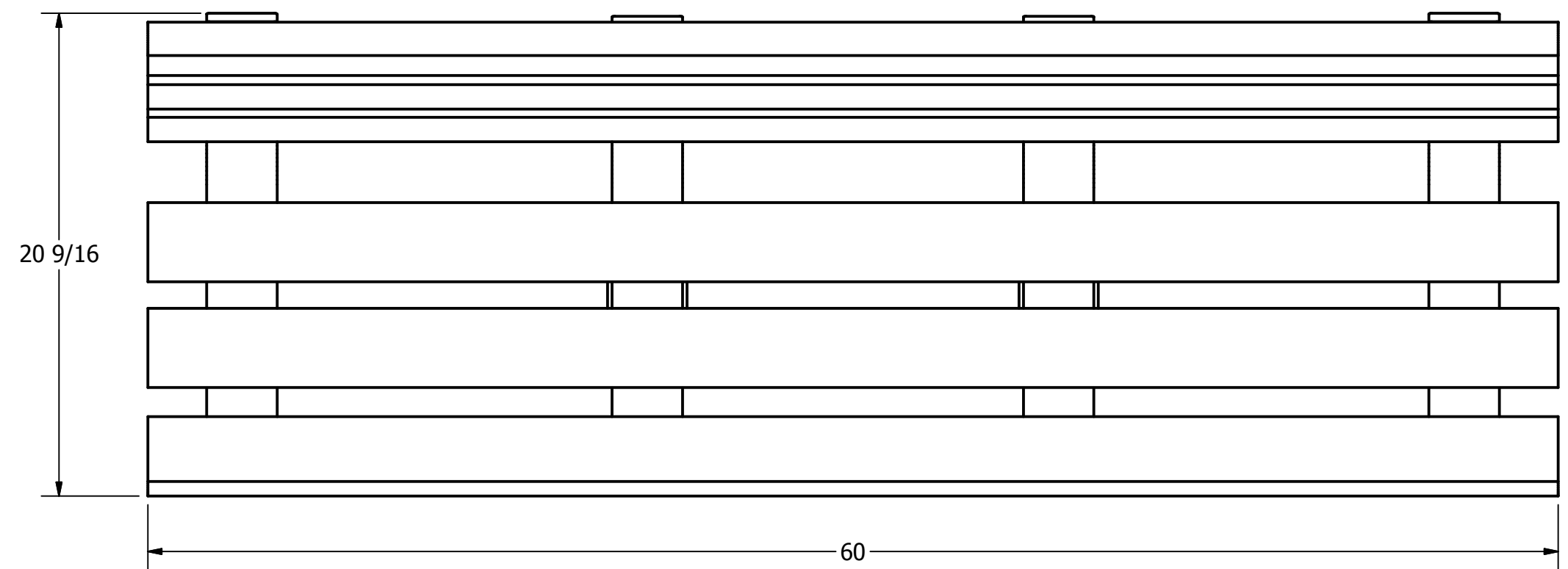
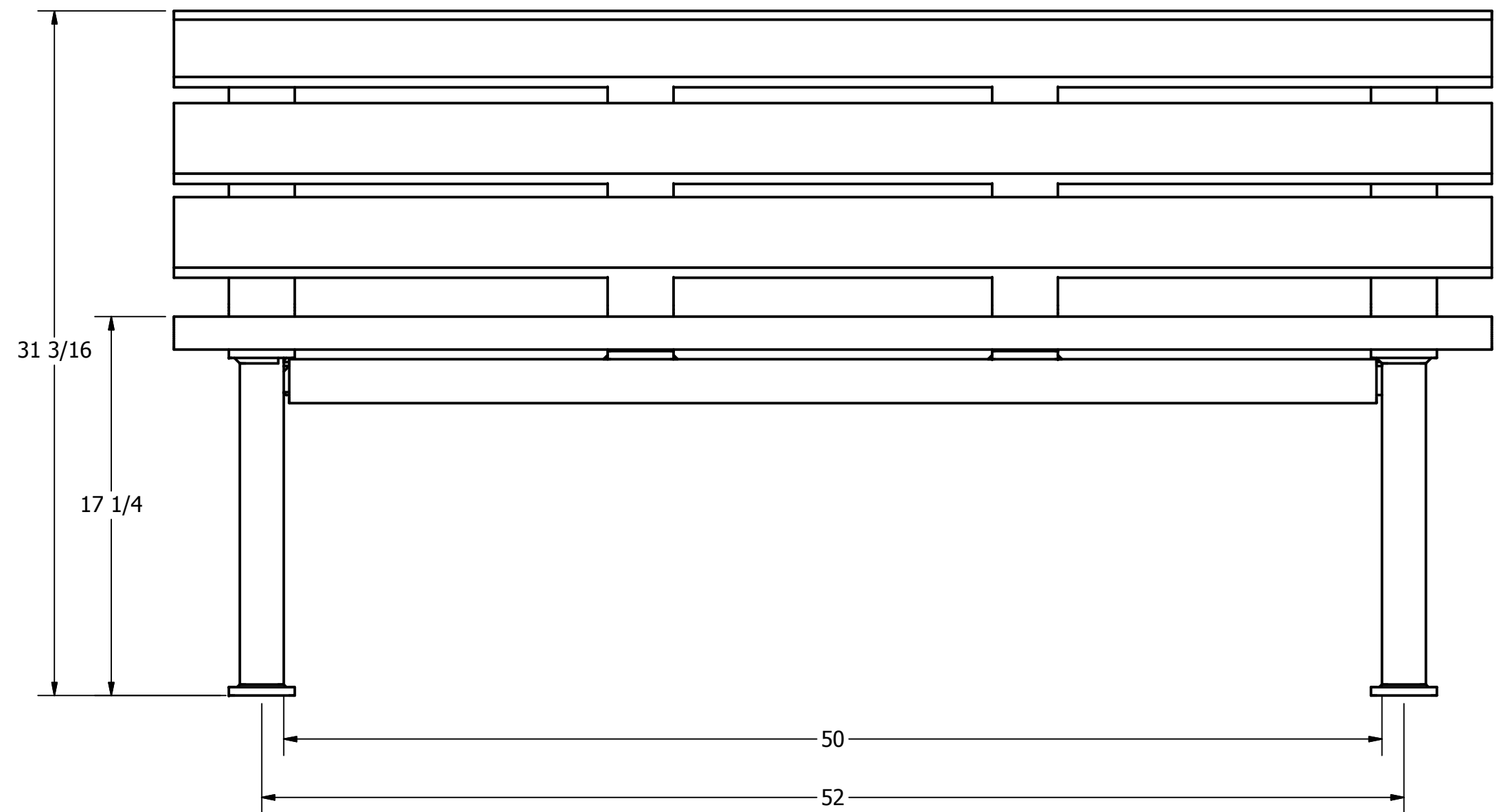


APPROXIMATE WEIGHT = 115 LBS



VIEW B-B
FOOT PAD



| | | | |
|---|---|------------------------------|------------|
| DRAWN DRESENER | 27/05/2008 | Wishbone Industries | |
| CHECKED | | TITLE | |
| QA | | PB-5 STRAIGHT BENCH ASSEMBLY | |
| MFG | | SIZE | DWG NO |
| APPROVED | | C | PB-5 |
| PROPRIETARY AND CONFIDENTIAL THE INFORMATION CONTAINED ON THIS DRAWING IS THE SOLE PROPERTY OF WISHBONE INDUSTRIES LTD. ANY REPRODUCTION IN PART OR WHOLE WITHOUT WRITTEN CONSENT OF WISHBONE INDUSTRIES LTD IS PROHIBITED. | TOLERANCES UNLESS OTHERWISE SPECIFIED FRACTIONAL +/- 1/32 TWO DECIMAL +/- .015 THREE DECIMAL +/- .005 ANGLE +/- 1° | SCALE | REV NEW |
| | | SHEET 2 OF 2 | |