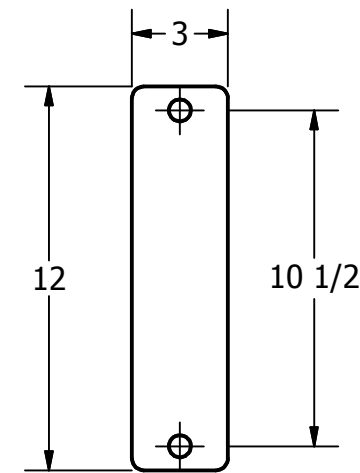
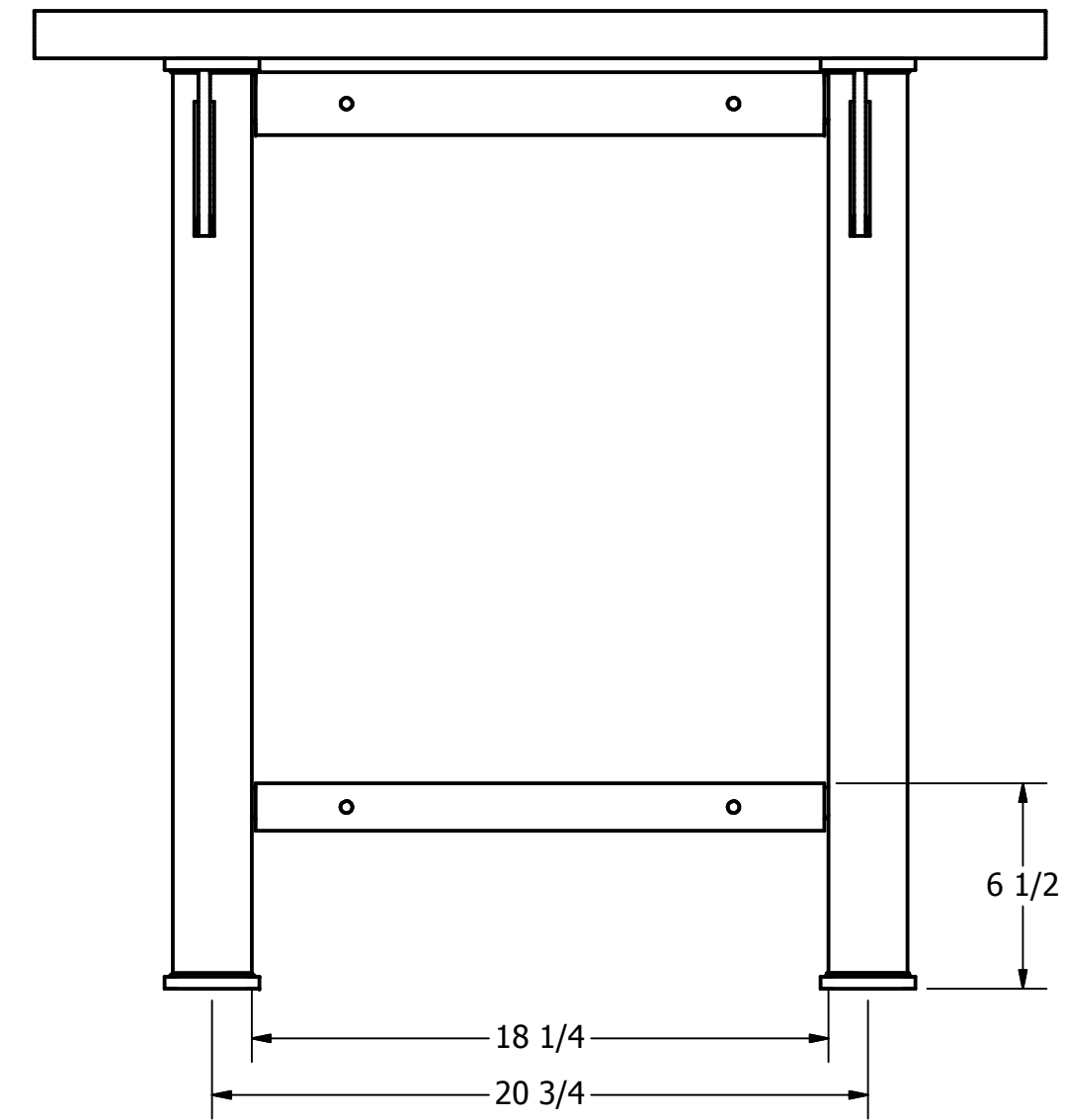
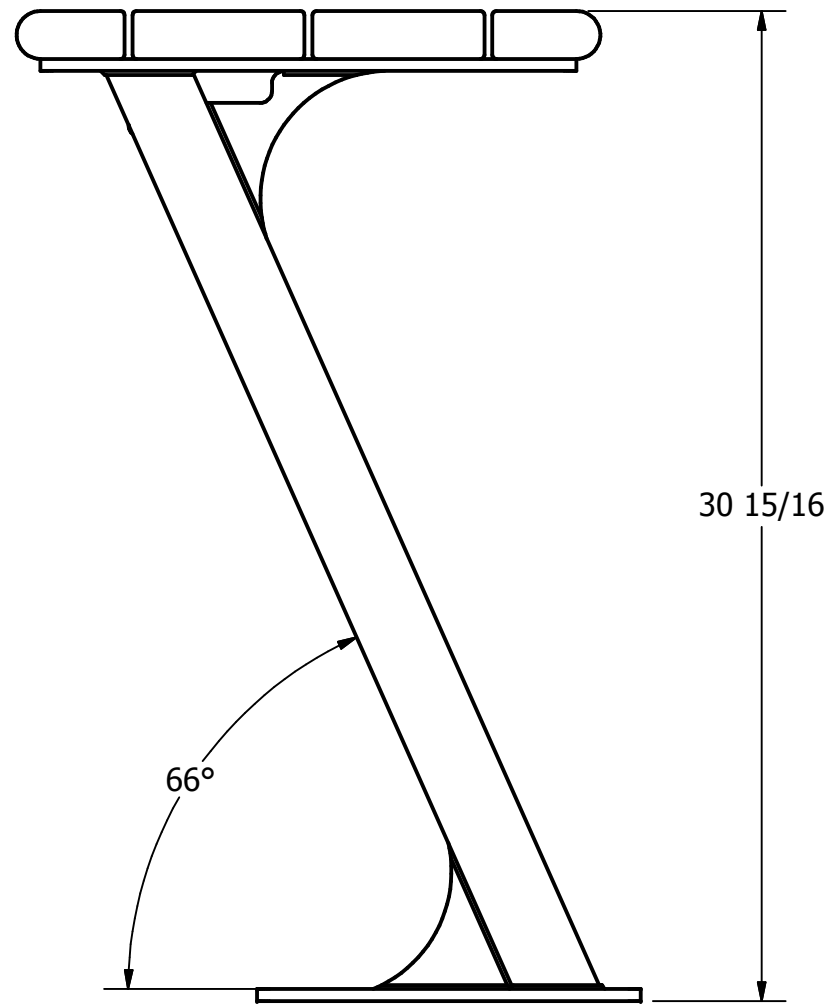
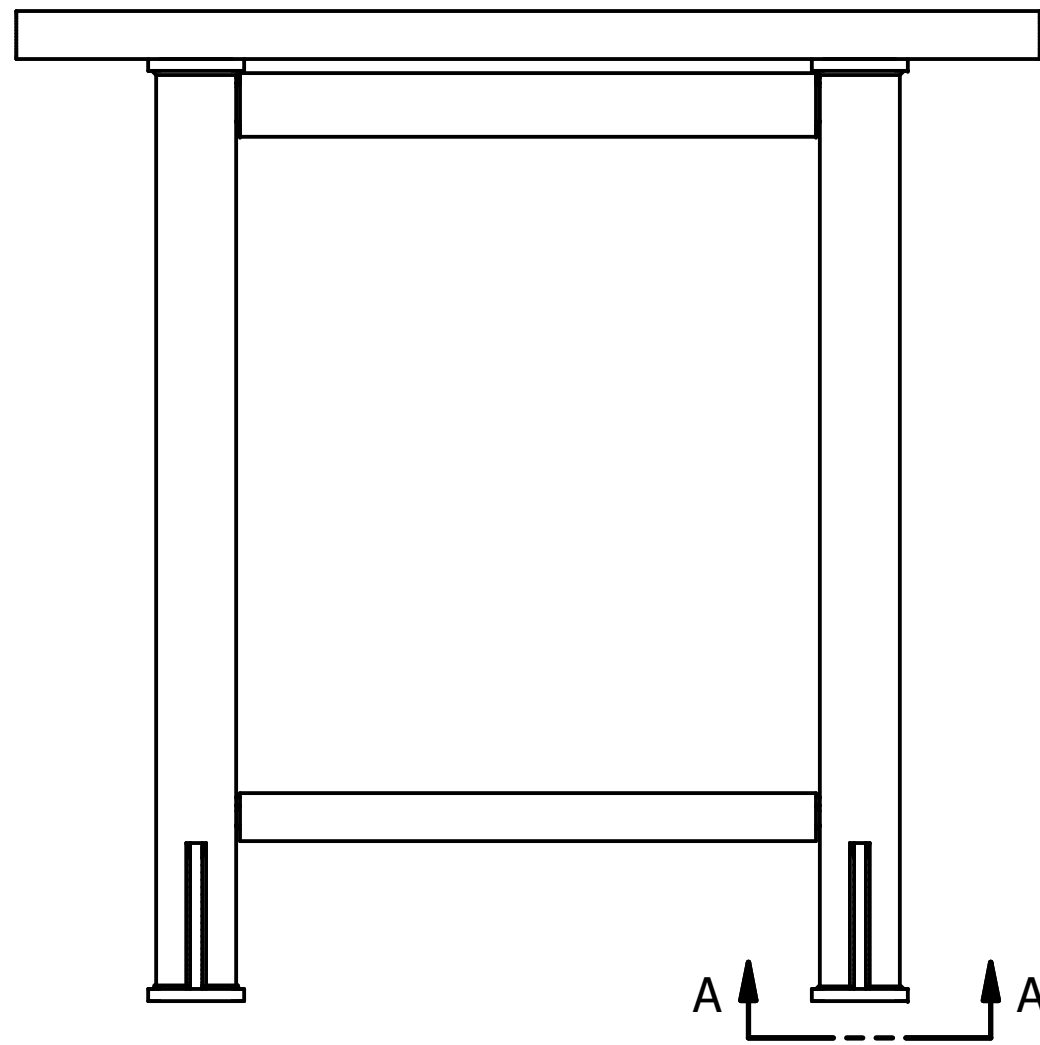
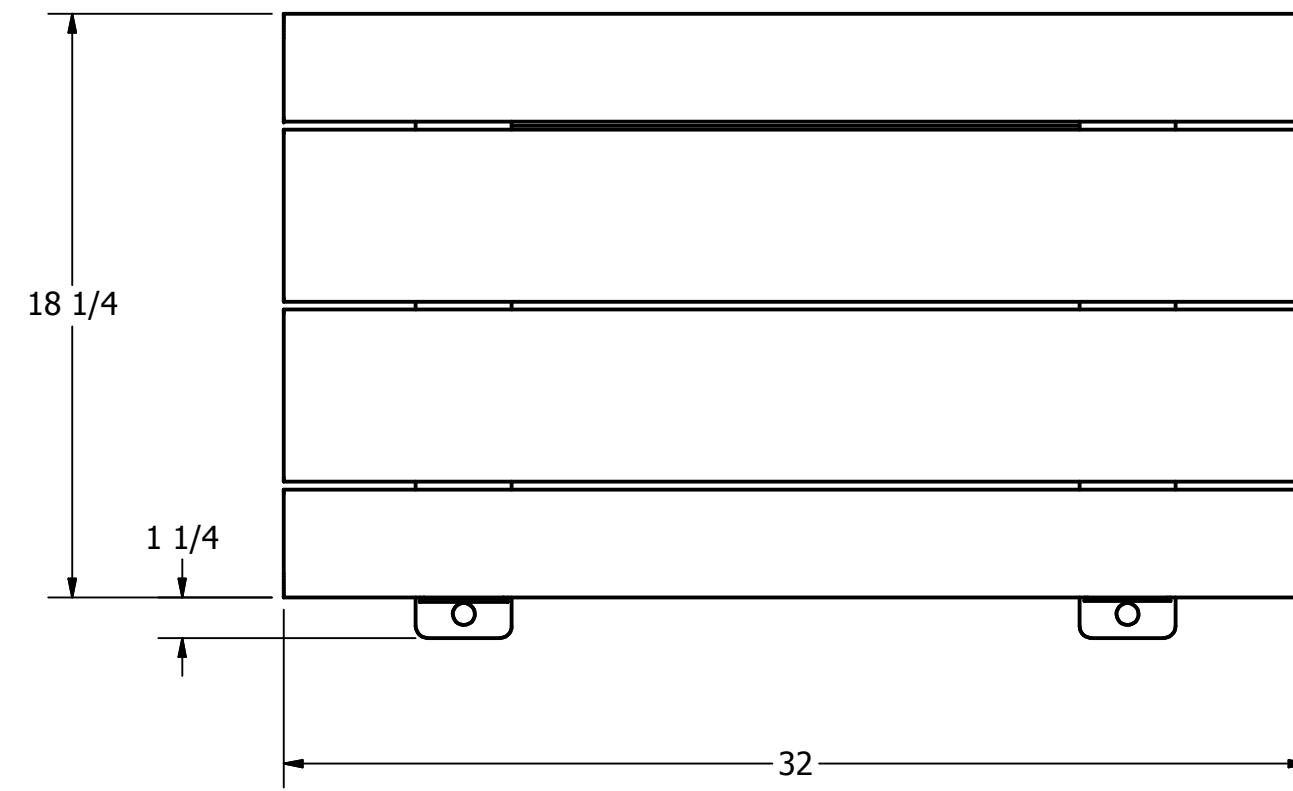


APPROXIMATE WEIGHT = 60 LBS



SECTION A-A
BASE FOOT

DRAWN DRESENER	01/01/2009	Wishbone Industries	
CHECKED		TITLE	
QA		BAYVIEW TABLE ASSEMBLY	
MFG		SIZE	DWG NO
APPROVED		C	BVT-30
PROPRIETARY AND CONFIDENTIAL THE INFORMATION CONTAINED ON THIS DRAWING IS THE SOLE PROPERTY OF WISHBONE INDUSTRIES LTD. ANY REPRODUCTION IN PART OR WHOLE WITHOUT WRITTEN CONSENT OF WISHBONE INDUSTRIES LTD IS PROHIBITED.	TOLERANCES UNLESS OTHERWISE SPECIFIED FRACTIONAL +/- 1/32 TWO DECIMAL +/- .015 THREE DECIMAL +/- .005 ANGLE +/- 1°	SCALE	REV NEW
		SHEET 1 OF 2	