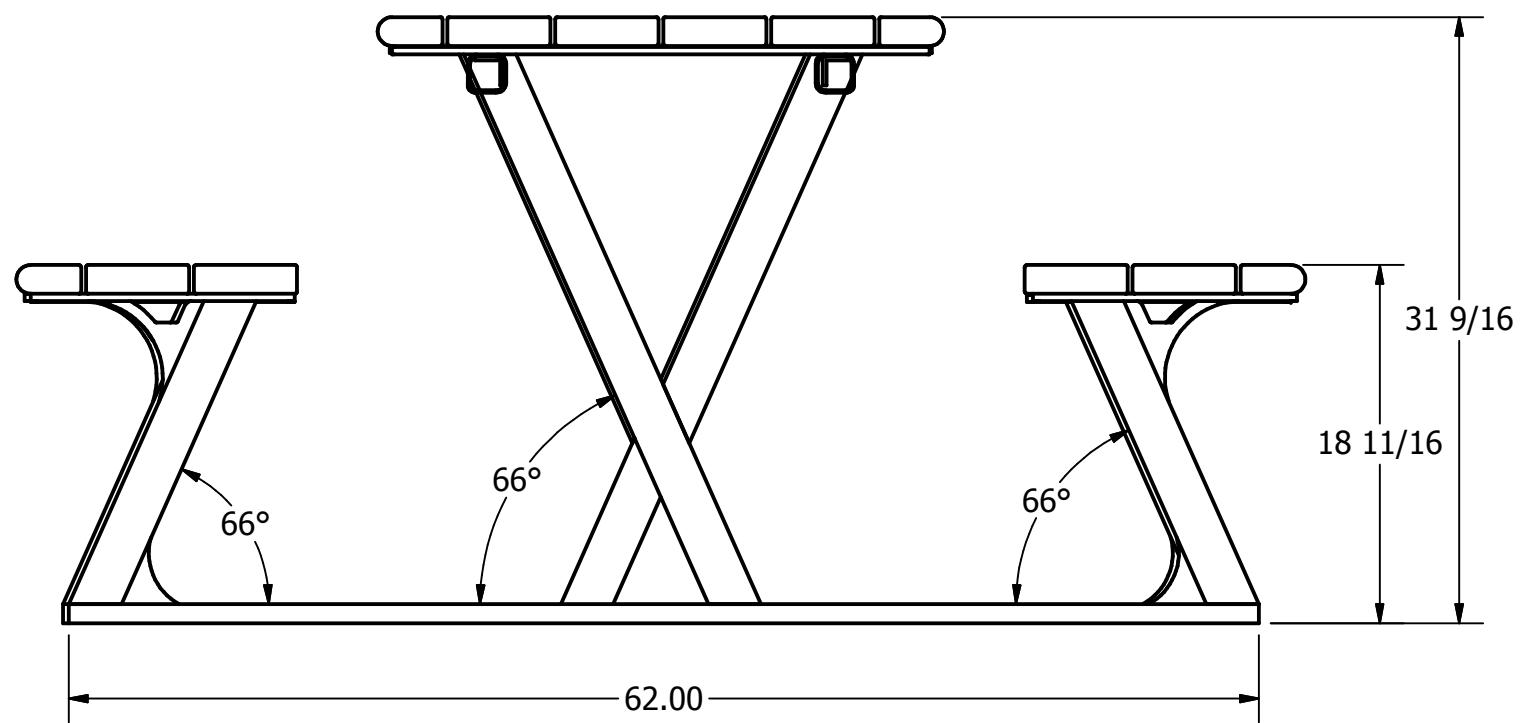
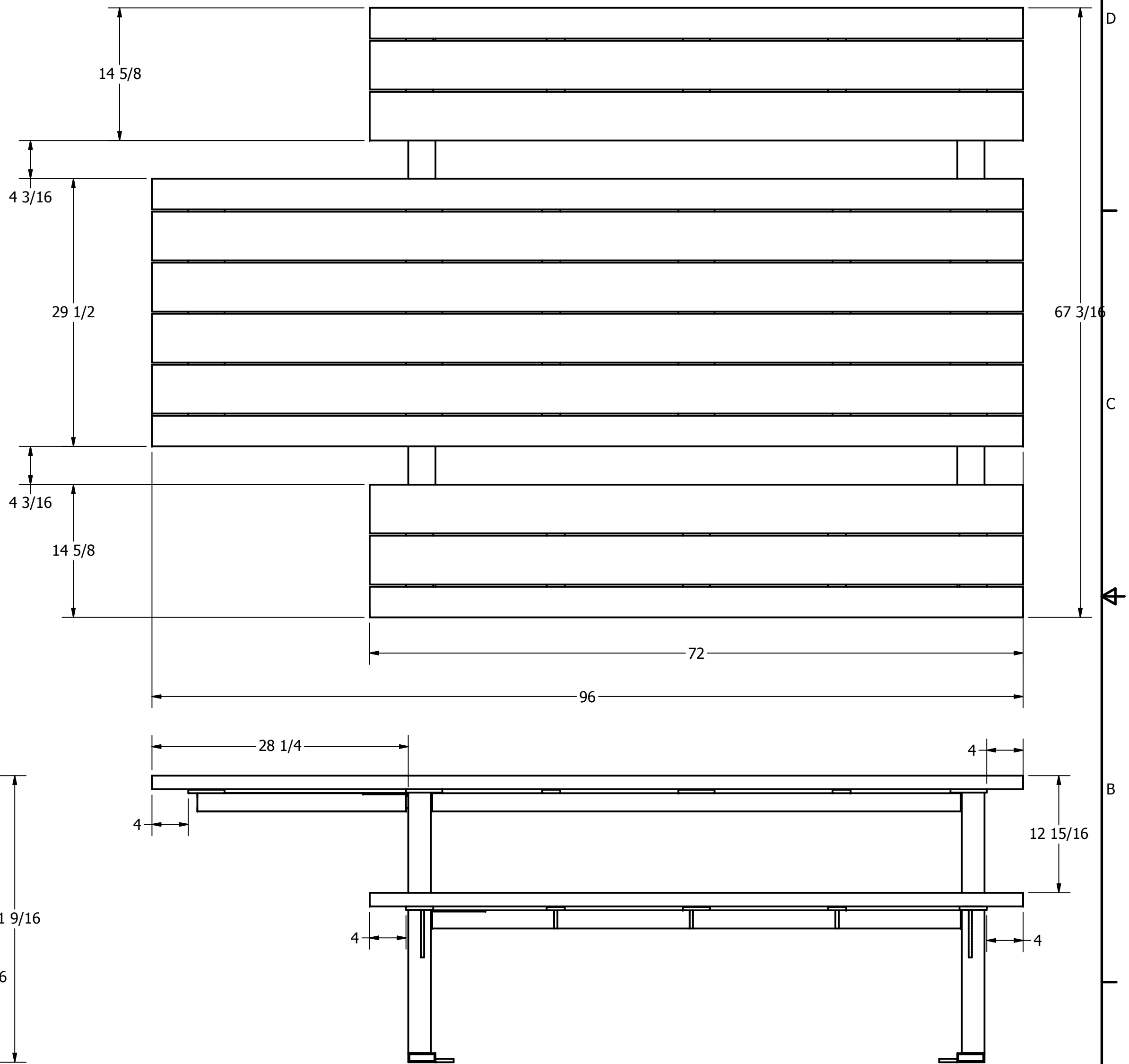


APPROXIMATE WEIGHT = 460 LBS



DRAWN	DRESENER	03/01/2009	<b>Wishbone Industries</b>	
CHECKED			TITLE	
QA			BAYVIEW PICNIC TABLE HANDICAP	
MFG			EXTENSION ASSEMBLY	
APPROVED			SIZE	DWG NO
PROPRIETARY AND CONFIDENTIAL THE INFORMATION CONTAINED ON THIS DRAWING IS THE SOLE PROPERTY OF WISHBONE INDUSTRIES LTD. ANY REPRODUCTION IN PART OR WHOLE WITHOUT WRITTEN CONSENT OF WISHBONE INDUSTRIES LTD IS PROHIBITED.		TOLERANCES UNLESS OTHERWISE SPECIFIED FRACTIONAL +/- 1/32 TWO DECIMAL +/- .015 THREE DECIMAL +/- .005 ANGLE +/- 1°	C	BVPTH-8
		SCALE		REV
				NEW
		SHEET 1 OF 1		