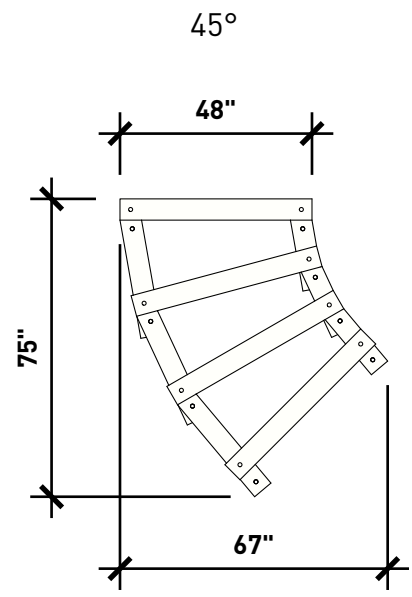
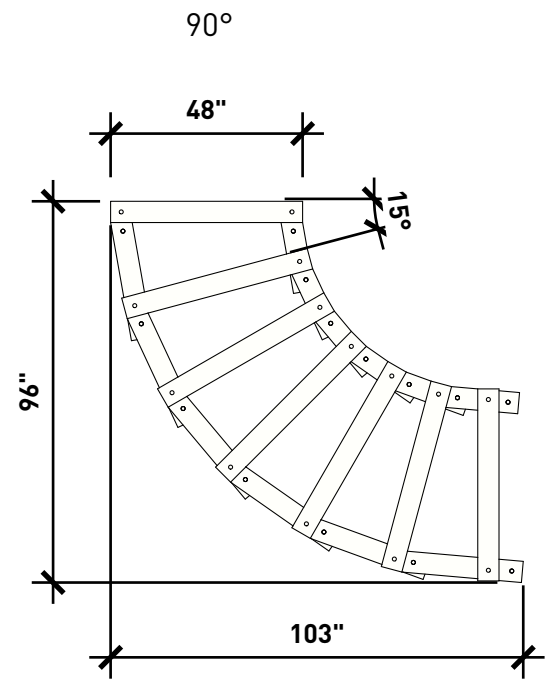


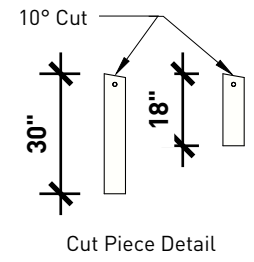
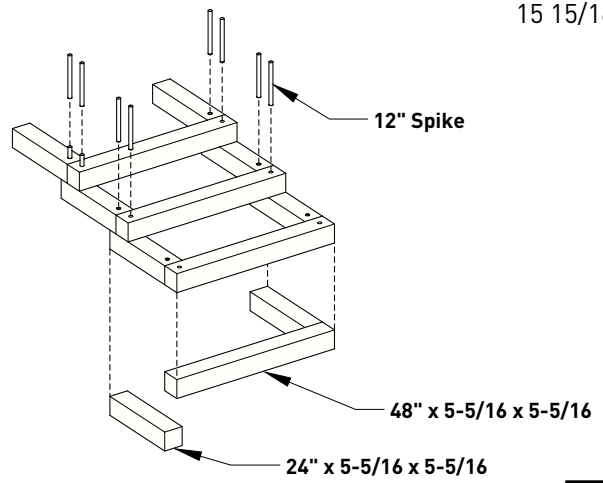
3-MODULE STAIR
 5 5/16" Rise Per Module
 15 15/16" Total Rise of Stair



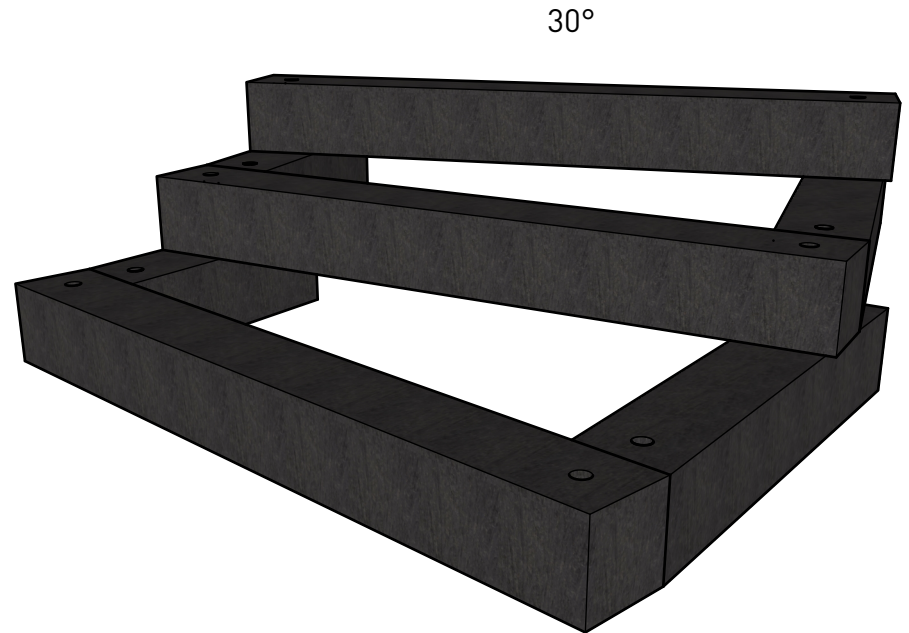
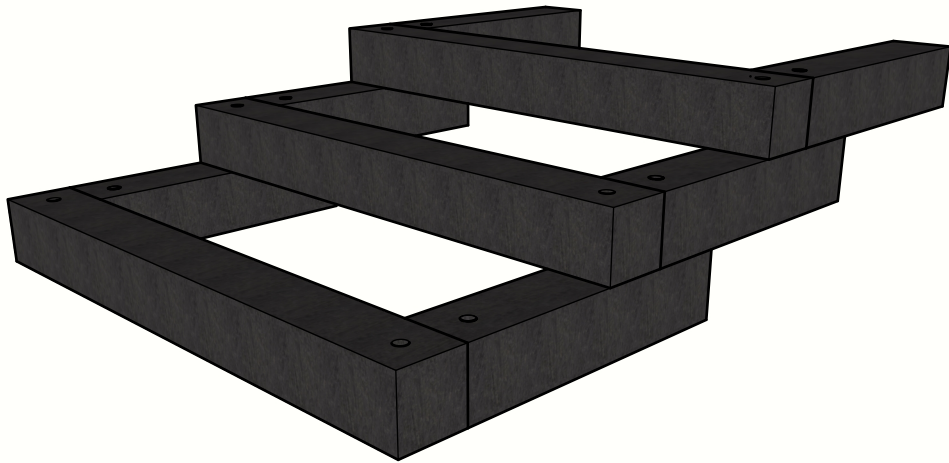
4-MODULE STAIR
 5 5/16" Rise Per Module
 21 1/4" Total Rise of Stair



7-MODULE STAIR
 5 5/16" Rise Per Module
 37 3/16" Total Rise of Stair



	WISHBONE SITE FURNISHINGS LTD 210-27090 GLOUCESTER WAY LANGLEY, BC			
	DWG. TITLE: PERMA-STEP STAIR KIT REGULAR REVISION: 24/04/19 R:00			
MATERIAL: Recycled Plastic	DWG. NO. DWSBPSST24041900	DRAWN BY: JAMES NEDEN		
PATTERN NO. N/A	MODEL NO. PSST-55	SCALE: 1:48	SHEET: 1 OF 4	DATE: 24 APR 19





 building materials

WISHBONE SITE FURNISHINGS LTD

210-27090 GLOUCESTER WAY LANGLEY, BC

DWG. TITLE: PERMA-STEP STAIR KIT REGULAR

REVISION: 24/04/19 R:00

MATERIAL:
Recycled Plastic

DWG. NO.
DWSBPSST24041900

DRAWN BY:
JAMES NEDEN

PATTERN NO.
N/A

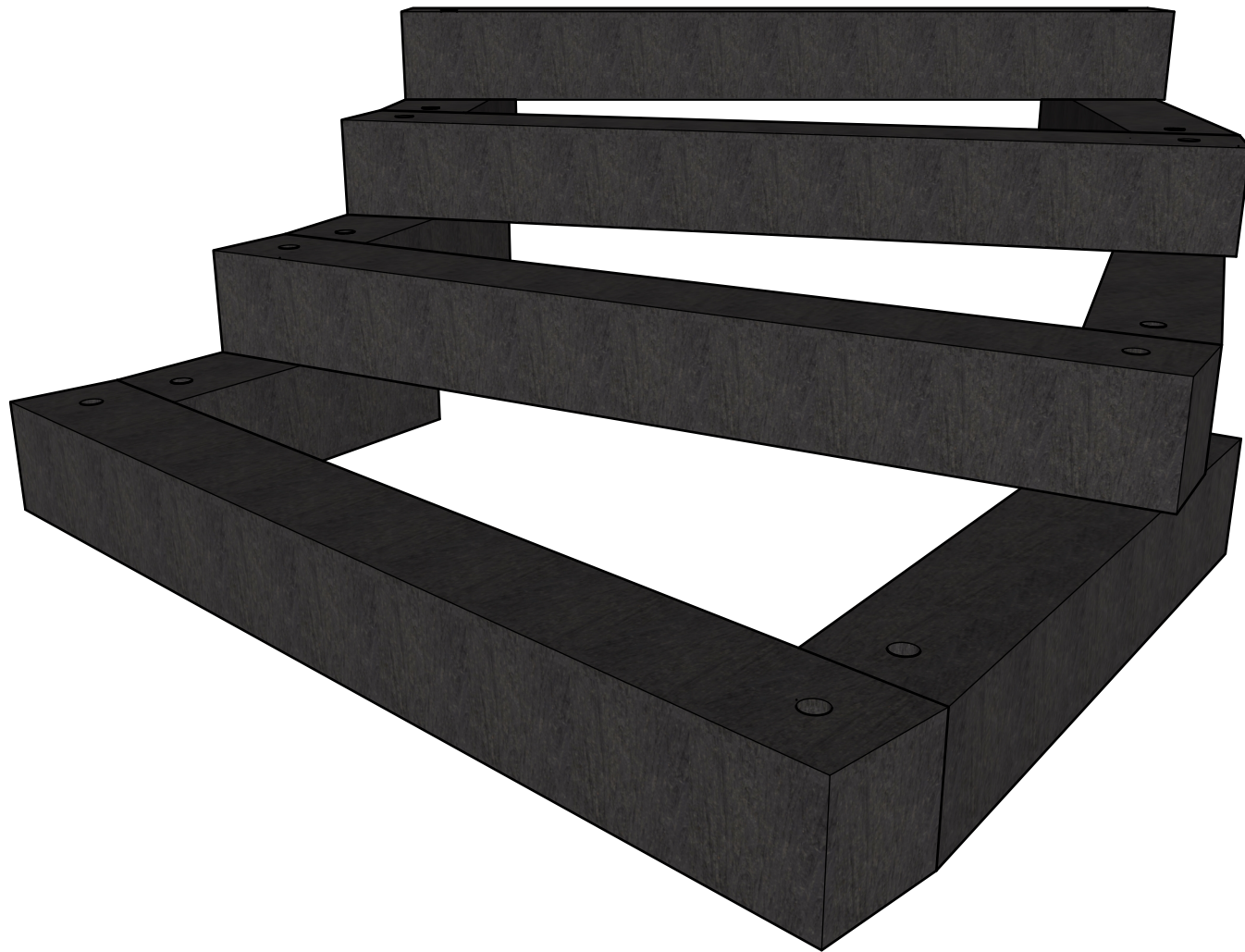
MODEL NO.
PSST-55

SCALE:
AS SHOWN

SHEET:
2 OF 4

DATE:
24 APR 19

45°



Wishbone
building materials

WISHBONE SITE FURNISHINGS LTD

210-27090 GLOUCESTER WAY LANGLEY, BC

DWG. TITLE: PERMA-STEP STAIR KIT REGULAR

REVISION: 24/04/19 R:00

MATERIAL:
Recycled Plastic

DWG. NO.
DWSBPSST24041900

DRAWN BY:
JAMES NEDEN

PATTERN NO.
N/A

MODEL NO.
PSST-55

SCALE:
AS SHOWN

SHEET:
3 OF 4

DATE:
24 APR 19

90°



Wishbone
building materials

WISHBONE SITE FURNISHINGS LTD

210-27090 GLOUCESTER WAY LANGLEY, BC

DWG. TITLE: PERMA-STEP STAIR KIT REGULAR

REVISION: 24/04/19 R:00

MATERIAL:
Recycled Plastic

DWG. NO.
DWSBPSST24041900

DRAWN BY:
JAMES NEDEN

PATTERN NO.
N/A

MODEL NO.
PSST-55

SCALE:
AS SHOWN

SHEET:
4 OF 4

DATE:
24 APR 19