

# 24W HTC CONSTANT VOLTAGE LED DRIVER

BL-HTC-CV-24V-24W



## APPLICATION

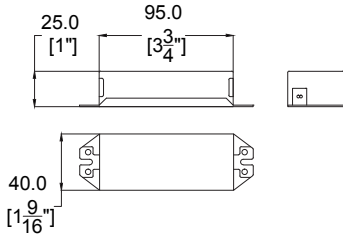
- Constant Voltage DC Output Power Supply for LED Lighting
- Suitable for Dry and Damp Locations

## ELECTRICAL

Input Voltage	120V - 277VAC 50/60 Hz
Input Current	0.27A - 0.13A
Output Voltage	24VDC Constant voltage
Power	24W
Max Current	1A
Connections	18 AWG Copper conductors
Efficiency	83%
Operating Temp	-30°C to 60°C (-22°F to 140°F)
Circuit	Class 2

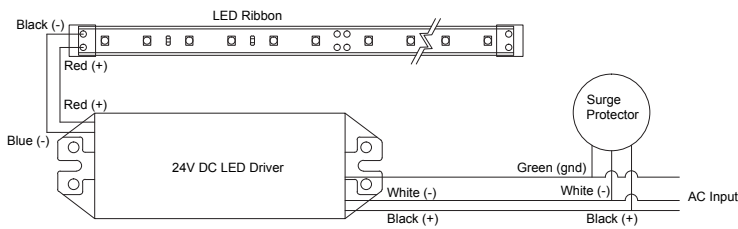
UL 8750 Recognized component  
EN61000-3-2

## DIAGRAMS - DIMENSIONS

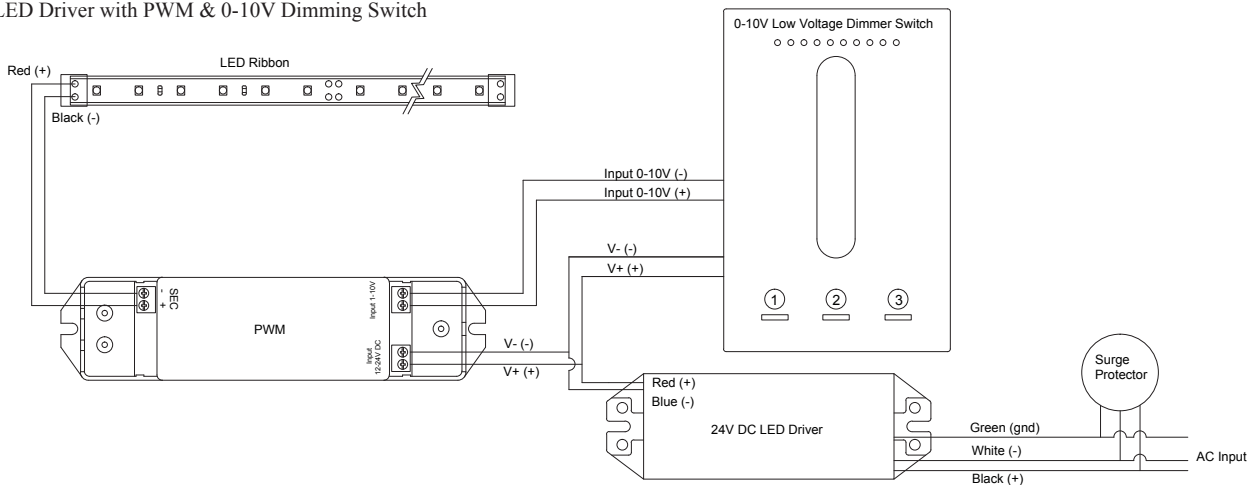


## CONNECTION DIAGRAM

LED Driver with LED Ribbon & Surge Protector



LED Driver with PWM & 0-10V Dimming Switch



Actual wire colours may vary - follow labels on the units  
Recommended to add 10% buffer when sizing power supply  
LED Drivers require enclosures

## ORDERING

24W HTC LED Driver  
BL-HTC-CV-24V-24W

Surge Protector  
BL-SP-277-20KA

Dimming Module  
BL-PWM-12/24V-1CH  
BL-PWM-12/24V-3CH

Dimming Switch  
BL-DIM-SLIDE  
BL-DIM-TOUCH

Solid State Lighting is sensitive to power fluctuations  
Surge protection is highly recommended for all LED lighting products and should be on a designated circuit to protect against premature failure  
Lack of surge protection may void your warranty

BL-HTC-CV-24V-24W - Page 1 -  
07.16.2015

Specifications subject to change without notice



111 - 8838 Heather St. Vancouver BC Canada V6P 3S8  
Ph: 1-604-874-4405 • Fx: 1-604-321-0445 • www.bllighting.com • sales@bllighting.com